

COMMERCIAL WASHERS

MODELS T-300/350/400/450/600/650/750/900/950/1200/1450/1800

VENDED C-SERIES CONTROL



DEXTER.
LAUNDRY

OPERATOR'S MANUAL INSTALLATION & OPERATION INSTRUCTIONS

Please read this information and retain for reference.

WARNING - THIS WASHER IS EQUIPPED WITH DEVICES AND FEATURES RELATING TO ITS SAFE OPERATION. TO AVOID INJURY OR ELECTRICAL SHOCK, DO NOT PERFORM ANY SERVICING UNLESS QUALIFIED TO DO SO.

IT IS THE RESPONSIBILITY OF THE OWNER TO CHECK THIS EQUIPMENT ON A FREQUENT BASIS TO ASSURE ITS SAFE OPERATION.

A machine should NOT be allowed to operate if any of the following occur:

- Excessively high water level.
- If machine is not connected to a properly grounded circuit.
- If the door does not remain securely locked during the entire cycle.
- Vibration or shaking from an inadequate mounting or foundation.

WARNING - SAFETY PRECAUTIONS

- Always shut off power and water supply before servicing.
- Do not overload the washer.
- Do not open door when cylinder is in motion or it contains water.
- Do not bypass any safety devices of this washer.
- Do not use volatile or flammable substances in or near this washer.
- Keep all panels in place. They protect against shock and injury and add rigidity to the washer.

PREVENTIVE MAINTENANCE REQUIREMENTS

DAILY

- Check that the loading door remains securely locked and cannot be opened during an entire cycle.
- Clean the top, front, and sides of the cabinet to remove residue.
- Clean the soap dispenser and lid and check that all dispenser mounting screws are in-place and tight.
- Check the loading door for leaks. Clean the door seal of all foreign matter.
- Leave the loading door open to aerate the washer when not in use.

QUARTERLY

- Make sure the washer is inoperative by switching off the main power supply.
- Check the V-belts for wear and proper tension.
- Clean lint and other foreign matter from around motor.
- Check all water connections for leaks.
- Check the drain valve for leaking and that it opens properly.
- Wipe and clean the inside of the washer and check that all electrical components are free of moisture and dust.
- Remove and clean water inlet hose filters. Replace if necessary.
- Check anchor bolts. Retighten if necessary.

IMPORTANT: Replace any and all panels that were removed to perform daily and/or quarterly maintenance.

TABLE OF CONTENTS

1	WASHER SPECIFICATION SHEET	5
1.1	Standard Washers	5
1.2	Express Washers	6
2	INSTALLATION INSTRUCTIONS	7
2.1	FOUNDATION REQUIREMENTS.....	7
2.2	MOUNTING HEIGHT	7
2.3	FOUNDATION AND PAD OPTIONS	8
2.3.1	WASHER INSTALLATION ON EXISTING FLOOR:	9
2.3.2	WASHER INSTALLATION ON NEW FLOOR:.....	9
2.3.3	NEW PAD TIED TO EXISTING FLOOR:	9
2.3.4	STEEL MOUNTING BASE ON CONCRETE FLOOR:	11
2.4	MACHINE ANCHORING	11
2.5	MACHINE GROUTING.....	12
2.6	FLOOR LOAD DATA.....	13
2.7	MOUNTING DETAILS	14
2.7.1	T-300 Machine Mounting Detail	14
2.7.2	T-300 Machine Side By Side Mounting Detail	15
2.7.3	T-300 Commercial Washer Dimensions	16
2.7.4	T-350 Machine Mounting Detail	17
2.7.5	T-350 Machine Side By Side Mounting Detail	18
2.7.6	T-350 Commercial Washer Dimensions	19
2.7.7	T-400 Machine Mounting Detail	20
2.7.8	T-400 Machine Side By Side Mounting Detail	21
2.7.9	T-400 Commercial Washer Dimensions	22
2.7.10	T-450 Machine Mounting Detail	23
2.7.11	T-450 Machine Mounting Detail	24
2.7.12	T-450 Commercial Washer Dimensions	25
2.7.13	T-600 Machine Mounting Detail	26
2.7.14	T-600 Machine Mounting Detail	27
2.7.15	T-600 Commercial Washer Dimensions	28
2.7.16	T-650 Machine Mounting Detail	29
2.7.17	T-650 Machine Side By Side Mounting Detail	30
2.7.18	T-650 Commercial Washer Dimensions	31
2.7.19	T-750 Machine Mounting Detail	32
2.7.20	T-750 Machine Side By Side Mounting Detail	33
2.7.21	T-750 Commercial Washer Dimensions	34

2.7.22	T-900/950 Machine Mounting Detail	35
2.7.23	T-900/950 Machine Side By Side Mounting Detail	36
2.7.24	T-900/950 Commercial Washer Dimensions.....	37
2.7.25	T-1200 Machine Mounting Detail	38
2.7.26	T-1200 Machine Side By Side Mounting Detail	39
2.7.27	T-1200 Commercial Washer Dimensions	40
2.7.28	T-1450 Machine Mounting Detail	41
2.7.29	T-1450 Machine Side By Side Mounting Detail	42
2.7.30	T-1450 Commercial Washer Dimensions	43
2.7.31	T-1800 Machine Mounting Detail	44
2.7.32	T-1800 Machine Side By Side Mounting Detail	45
2.7.33	T-1800 Commercial Washer Dimensions	46
2.8	PLUMBING	47
2.9	DRAIN	47
2.10	PROTECTIVE FILM.....	47
2.11	ELECTRICAL	47
2.11.1	INSTALLING THE ELECTRICAL CONNECTION	49
2.11.2	FUSING REQUIREMENTS	49
2.11.3	CONTROLS TRANSFORMER (208-240V 60 Hz models only).....	50
2.11.4	CONTROLS TRANSFORMER (230V 50 Hz models only).....	50
2.11.5	VARIABLE FREQUENCY DRIVE ADJUSTMENTS (208-240V 60 Hz T-950 model only)	51
2.12	OPERATION CHECK	52
3	OPERATING INSTRUCTIONS.....	53
3.1	STARTING THE WASHER.....	53
3.2	END OF CYCLE	54
3.3	EMERGENCY STOP / SAFETY DOOR LOCK.....	54
3.4	VARIABLE FREQUENCY DRIVE INDICATORS	55
4	MACHINE PROGRAMMING INSTRUCTIONS	56
4.1	MANUAL PROGRAMMING:	56
4.2	Optional Cycles Option:.....	59
4.3	Error Code Historical Log:.....	60
4.4	Prices Option:	60
4.5	Cycles Option:	61
4.6	Plus Cycle Options:	64
4.7	Settings:	67
4.8	Usage Menu:	70
4.9	Control Menu:	72
4.10	COIN WASHER DEFAULT CYCLE	73
4.11	WASHERS WITHOUT COIN ACCEPTORS.....	73
4.12	RAPID ADVANCE MODE	73

4.13	WATER LEVEL ADJUSTMENT	74
5	DISPLAYED WASHER MESSAGES.....	75
6	TROUBLESHOOTING	87
7	TRANSIENT VOLTAGE SURGE SUPPRESSORS	91
8	SERVICE AND PARTS.....	92

1 WASHER SPECIFICATION SHEET

1.1 Standard Washers

		T-300		T-400		T-600		T-900		T-1200		T-1800		
Capacity	Dry Weight Capacity - lb (kg)	20	(9.1)	30	(13.6)	40	(18.1)	60	(27.2)	80	(36.3)	120	(54.4)	
	Cylinder Volume - cu ft (L)	2.7	(76.5)	4	(113.3)	6	(170)	9	(254.9)	11.5	(325.6)	17.4	(492.7)	
Speed	High Extract Speed - g (RPM)	100	(579)	100	(532)	100	(532)	100	(485)	100	(485)	100	(436)	
	Intermediate Extract Speed - g (RPM)	60	(449)	60	(412)	60	(412)	60	(375)	60	(375)	60	(338)	
	Washing Speed - g (RPM)	0.9	(55)	0.9	(50)	0.9	(50)	0.9	(43)	0.9	(43)	0.9	(39)	
	Motor Size - hp (kW)	1	(0.75)	2	(1.5)	2	(1.5)	3	(2.2)	3	(2.2)	7.8	(5.8)	
Dimensions	Cabinet Height - in (cm)	43 7/8	(111.4)	48 3/16	(122.4)	49 11/16	(126.2)	55 3/8	(140.7)	57 7/8	(147)	62 3/8	(158.4)	
	Cabinet Width - in (cm)	26	(66)	29 7/8	(75.9)	29 7/8	(75.9)	34 3/8	(87.3)	34 3/8	(87.3)	41 1/2	(105.4)	
	Cabinet Depth - in (cm)	25	(63.5)	27 3/8	(69.5)	36	(91.4)	38 7/8	(98.8)	45 3/8	(115.3)	48 1/4	(122.6)	
	Door Opening - in (cm)	12 1/4	(31.1)	15 1/4	(38.7)	15 1/4	(38.7)	19 1/4	(48.9)	19 1/4	(48.9)	19 1/4	(48.9)	
	Floor to Door Bottom - in (cm)	14 7/8	(37.8)	16 1/4	(41.3)	16 1/4	(41.3)	16	(40.6)	18 1/2	(47)	19 5/16	(49.1)	
	Cylinder Diameter - in (cm)	21	(53.3)	25	(63.5)	25	(63.5)	30	(76.2)	30	(76.2)	37	(94)	
	Cylinder Depth - in (cm)	13 1/2	(34.3)	14 1/8	(35.9)	21 1/8	(53.7)	22	(55.9)	28	(71.1)	28	(71.1)	
Weight	Net Weight - lb (kg)	317	(143.8)	432	(196)	558	(253.1)	964	(437.3)	1022	(463.6)	1415	(641.8)	
	Shipping Weight - lb (kg)	340	(154.2)	450	(204.1)	580	(263.1)	980	(444.5)	1063	(482.2)	1460	(662.2)	
Shipping	Shipping Height - in (cm)	50	(127)	53 1/4	(135.3)	54 3/4	(139.1)	61 1/2	(156.2)	63 3/4	(161.9)	69 1/4	(175.9)	
	Shipping Width - in (cm)	27 1/4	(69.2)	31 1/2	(80)	31 1/2	(80)	36	(91.4)	36	(91.4)	43 1/8	(109.5)	
	Shipping Depth - in (cm)	30 1/2	(77.5)	33 1/2	(85.1)	41	(104.1)	44 1/4	(112.4)	52 3/16	(132.6)	54	(137.2)	
	Water Inlet Size - in (mm)	3/4	(19)	3/4	(19)	3/4	(19)	3/4	(19)	3/4	(19)	3/4	(19)	
Water	Pressure (min-max) - psi (kPa)	30-120	(207-827)	30-120	(207-827)	30-120	(207-827)	30-120	(207-827)	30-120	(207-827)	30-120	(207-827)	
	Flow Rate - gal/min (L/min)	9	(34)	9	(34)	9	(34)	9	(34)	9 & 12	(34 & 45)	9 & 12	(34 & 45)	
	Approx. Water Usage Per Cycle - gal (L)	15.8	(59.8)	23.5	(89)	35.1	(132.9)	52.6	(199.1)	67	(253.6)	95.6	(361.9)	
	Drain Diameter (O.D.) - in (cm)	2 1/4	(5.7)	3	(7.6)	3	(7.6)	3	(7.6)	3	(7.6)	3	(7.6)	
	Floor to Center of Drain - in (cm)	6	(15.2)	4 11/16	(11.9)	5	(12.7)	6 5/8	(16.8)	8 5/8	(21.8)	8 5/16	(21.1)	
Electrical	Model	Volts / Hz / Phase / Wiring		Circuit Breaker Amps / Running Amps / Wire Size										
	-10	120 / 60 / 1 / 2 wire + ground		20 / 13 / #12	---	---	---	---	---	---	---	---	---	
	-12	208-240 / 60 / 1 / 2 wire + ground		15 / 4 / #12	15 / 6.2 / #12	15 / 6.2 amp / #12	20 / 8.4 / #12	20 / 8.4 / #12	30 / 16.6 / #10					
		208-240 / 60 / 3 / 3 wire + ground												
	-39	230 / 50 / 1 / 2 wire + ground		15 / 4 / 3.5 mm ²	15 / 6.2 / 3.5 mm ²	15 / 6.2 / 3.5 mm ²	20 / 8.4 / 3.5 mm ²	20 / 8.4 / 3.5 mm ²	30 / 16.6 / 5.3 mm ²					
-59	230 / 50 / 1 / 2 wire + ground		15 / 4 / 3.5 mm ²	15 / 6.2 / 3.5 mm ²	15 / 6.2 / 3.5 mm ²	20 / 8.4 / 3.5 mm ²	---	---						
Installation	Min. Clearance Between Machines - in (cm)		1/2	(1.3)	1/2	(1.3)	1/2	(1.3)	1/2	(1.3)	1/2	(1.3)	1/2	(1.3)
	Min. Clearance Behind Machines - in (cm)		24	(61)	24	(61)	24	(61)	24	(61)	24	(61)	24	(61)
	Min. Concrete Thickness - in (cm)		6	(15.2)	6	(15.2)	6	(15.2)	8	(20.3)	8	(20.3)	12	(30.5)

1.2 Express Washers

		T-350		T-450		T-650		T-750		T-950		T-1450		
Capacity	Dry Weight Capacity - lb (kg)	20	(9.1)	30	(13.6)	40	(18.1)	50	(22.7)	60	(27.2)	90	(40.8)	
	Cylinder Volume - cu ft (L)	2.7	(76.5)	3.8	(107.6)	6	(170)	6.5	(184.1)	9	(254.9)	13.7	(388)	
Speed	High Extract Speed - g (RPM)	200	(819)	200	(750)	200	(750)	200	(685)	200	(685)	200	(617)	
	Intermediate Extract Speed - g (RPM)	60	(449)	60	(411)	60	(411)	60	(375)	60	(375)	60	(338)	
	Washing Speed - g (RPM)	0.9	(55)	0.9	(50)	0.9	(50)	0.9	(43)	0.9	(43)	0.9	(39)	
	Motor Size - hp (kW)	1	(0.75)	2	(1.5)	2	(1.5)	3	(2.2)	3	(2.2)	6.7	(5)	
Dimensions	Cabinet Height - in (cm)	43 7/8	(111.4)	48 3/16	(122.4)	53	(134.6)	55 3/8	(140.7)	55 3/8	(140.7)	62 3/8	(158.4)	
	Cabinet Width - in (cm)	26	(66)	29 7/8	(75.9)	29 7/8	(75.9)	34 3/8	(87.3)	34 3/8	(87.3)	41 1/2	(105.4)	
	Cabinet Depth - in (cm)	28	(71.1)	28 1/4	(71.8)	38 1/8	(96.8)	32 7/8	(83.5)	38 7/8	(98.7)	42 1/4	(107.3)	
	Door Opening - in (cm)	12 1/4	(31.1)	15 1/4	(38.7)	15 1/4	(38.7)	19 1/4	(48.9)	19 1/4	(48.9)	19 1/4	(48.9)	
	Floor to Door Bottom - in (cm)	14 7/8	(37.8)	16 1/4	(41.3)	16 1/4	(41.3)	16	(40.6)	16	(40.6)	19 5/16	(49.1)	
	Cylinder Diameter - in (cm)	21	(53.3)	25	(63.5)	25	(63.5)	30	(76.2)	30	(76.2)	37	(94)	
	Cylinder Depth - in (cm)	13 1/2	(34.3)	13 3/8	(34)	21 1/8	(53.7)	16	(40.6)	22	(55.9)	22	(55.9)	
Weight	Net Weight - lb (kg)	383	(173.7)	526	(238.6)	744	(337.5)	925	(419.6)	1000	(453.6)	1322	(599.6)	
	Shipping Weight - lb (kg)	407	(184.6)	544	(246.8)	766	(347.5)	952	(431.8)	1016	(460.8)	1364	(618.7)	
Shipping	Shipping Height - in (cm)	49 1/4	(125.1)	53 1/4	(135.3)	58 3/4	(149.2)	61 1/2	(156.2)	61 1/2	(156.2)	69 1/4	(175.9)	
	Shipping Width - in (cm)	28 1/4	(71.8)	31 1/2	(80)	31 1/2	(80)	36	(91.4)	36	(91.4)	43 1/8	(109.5)	
	Shipping Depth - in (cm)	33 1/2	(85.1)	33 1/2	(85.1)	43 3/4	(111.1)	38	(96.5)	45 1/4	(114.9)	48	(121.9)	
	Shipping Weight - lb (kg)	407	(184.6)	544	(246.8)	766	(347.5)	952	(431.8)	1016	(460.8)	1364	(618.7)	
Water	Water Inlet Size - in (mm)	3/4	(19)	3/4	(19)	3/4	(19)	3/4	(19)	3/4	(19)	3/4	(19)	
	Pressure (min-max) - psi (kPa)	30-120	(207-827)	30-120	(207-827)	30-120	(207-827)	30-120	(207-827)	30-120	(207-827)	30-120	(207-827)	
	Flow Rate - gal/min (L/min)	9	(34)	9	(34)	9	(34)	9	(34)	9 & 12	(34 & 45)	9 & 12	(34 & 45)	
	Approx. Water Usage Per - gal (L)	15.8	(59.8)	22.2	(84)	35.1	(132.9)	38.4	(145.4)	52.6	(199.1)	80.1	(303.2)	
	Drain Diameter (O.D.) - in (cm)	2 1/4	(5.7)	3	(7.6)	3	(7.6)	3	(7.6)	3	(7.6)	3	(7.6)	
	Floor to Center of Drain - in (cm)	6	(15.2)	5	(12.7)	6 7/8	(17.5)	6 5/8	(16.8)	6 5/8	(16.8)	8 5/16	(21.1)	
Electrical	Model	Volts / Hz / Phase / Wiring		Circuit Breaker Amps / Running Amps / Wire Size										
	-12	208-240 / 60 / 1 / 2 wire + ground		15 / 6.2 / #12	15 / 6.2 / #12	15 / 6.2 / #12	20 / 8.4 / #12	20 / 12 / #12	30 / 15 / #10					
		208-240 / 60 / 3 / 3 wire + ground												
	-39	230 / 50 / 1 / 2 wire + ground		15 / 6.2 / 3.5 mm ²	15 / 6.2 / 3.5 mm ²	15 / 6.2 / 3.5 mm ²	20 / 8.4 / 3.5 mm ²	20 / 12 / 3.5 mm ²	30 / 15 / 5.3 mm ²					
-59	230 / 50 / 1 / 2 wire + ground		15 / 6.2 / 3.5 mm ²	15 / 6.2 / 3.5 mm ²	15 / 6.2 / 3.5 mm ²	20 / 8.4 / 3.5 mm ²	---	---						
Installation	Min. Clearance Between Machines - in (cm)		1/2	(1.3)	1/2	(1.3)	1/2	(1.3)	1/2	(1.3)	1/2	(1.3)	1/2	(1.3)
	Min. Clearance Behind Machines - in (cm)		24	(61)	24	(61)	24	(61)	24	(61)	24	(61)	24	(61)
	Min. Concrete Thickness - in (cm)		6	(15.2)	6	(15.2)	8	(20.3)	8	(20.3)	8	(20.3)	12	(30.5)

NOTE:

For some models, Final Extract Speed is dependent on load and incoming voltage. Refer to the Electrical Installation section for more details.

2 INSTALLATION INSTRUCTIONS

All washers must be installed in accordance with all local, state and national building, electrical, plumbing and other codes in effect in the area.

WARNING:

THESE INSTALLATION AND SERVICING INSTRUCTIONS ARE FOR USE BY QUALIFIED PERSONNEL ONLY. TO AVOID INJURY AND ELECTRICAL SHOCK, DO NOT PERFORM ANY SERVICING OTHER THAN THAT CONTAINED IN THE OPERATING INSTRUCTIONS, UNLESS QUALIFIED.

2.1 FOUNDATION REQUIREMENTS

T-300 and 400:

This machine is designed for use on or over bare concrete floor - not to be used above combustible flooring, such as carpet or wood. The washer must be securely bolted to a substantial concrete floor, or mounted upon a suitable base that is securely bolted to a substantial concrete floor.

Grouting is highly recommended, especially to the concrete surface. See Machine Grouting section for details.

T-350, 450, 600, 650, 750, 900, 950, 1200, 1450, 1800:

This machine is designed for use on or over bare concrete floor - not to be used above combustible flooring, such as carpet or wood. The washer must be securely bolted **and grouted** to a substantial concrete floor or mounted **and grouted** upon a suitable base that is securely bolted **and grouted** to a substantial concrete floor. See Machine Grouting section for details.

CARE MUST BE TAKEN WITH ALL FOUNDATION WORK TO ENSURE A STABLE UNIT INSTALLATION, ELIMINATING POSSIBILITIES OF EXCESSIVE VIBRATION.

Allow a minimum 24 inches (610 mm) of clearance behind the rear of the machine to provide access for motor service.

Installation on an isolated pad is NOT recommended. Consult a structural engineer for installations that will not be tied to a surrounding floor.

2.2 MOUNTING HEIGHT

A concrete pedestal or steel-mounting base that elevates the machine above the floor level is suggested to provide easy access to the loading door.

Suggested Amount to Elevate Washer:

T-300/350: approximately 8 inches (203 mm)

T-400/450/600: approximately 6 inches (152 mm)

T-650/750/900/950/1200/1450/1800: approximately 4 inches (102 mm)

Contact a Dexter laundry equipment distributor for recommended steel

mounting bases. Available steel mounting bases:

Washer	Part Number	Height
T-300	9945-094-003	8" (203 mm) Single Base
T-300	9945-094-004	8" (203 mm) Double Base
T-350	9945-121-001	8" (203 mm) Single Base
T-400	9945-089-001	6" (152 mm) Single Base
T-400	9945-089-002	6" (152 mm) Double Base
T-450	9945-123-001	6" (152 mm) Single Base
T-600	9945-098-001	6" (152 mm) Single Base
T-650	9945-145-001	6" (152 mm) Single Base
T-750	9945-117-001	6" (152 mm) Single Base
T-900/950	9945-103-001	4" (103 mm) Single Base
T-900/950	9945-118-001	6" (152 mm) Single Base
T-1200	9945-124-001	6" (152 mm) Single Base
T-1450	9945-145-001	4" (103 mm) Single Base
T-1800	9945-159-001	4" (103 mm) Single Base

If an elevated concrete pedestal is desired, it should be embedded and tied into the existing floor. DO NOT install a pad on top of the existing floor. Cut through existing floor as shown below. See Machine Mounting Detail Figures for floor thickness and bolt sizes.

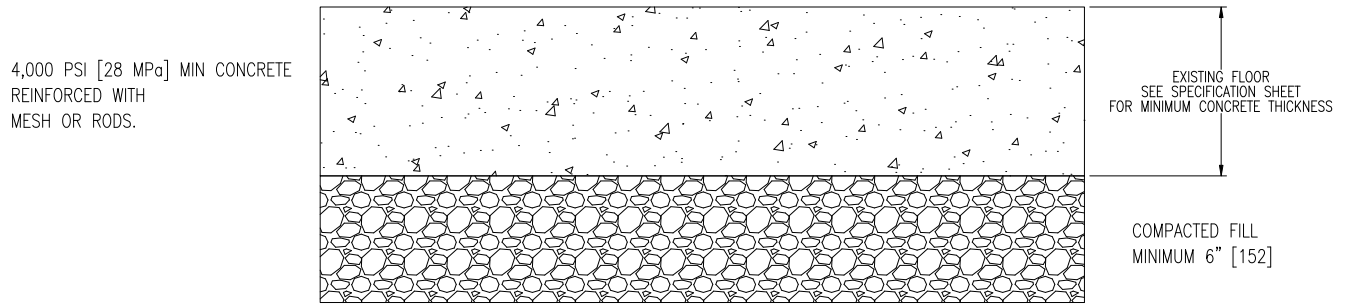
EXPANSION ANCHORS ARE NOT RECOMMENDED FOR USE IN CONCRETE PEDESTALS BECAUSE THE ANCHORS ARE TOO CLOSE TO AN EDGE, CAUSING IT TO BREAK OUT.

2.3 FOUNDATION AND PAD OPTIONS

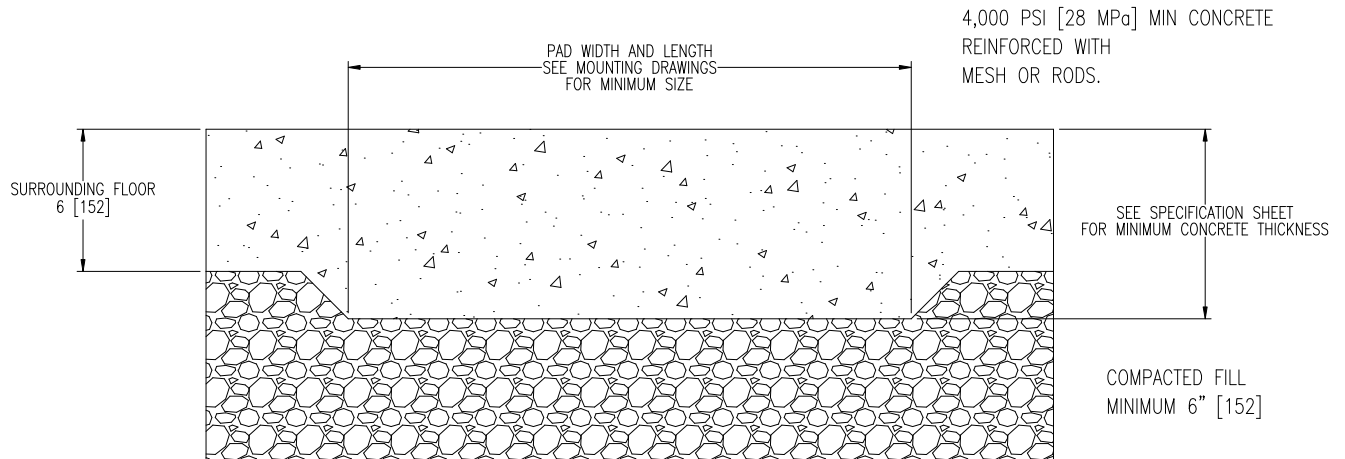
All installations require reinforced concrete floors. Refer to appropriate model Machine Mounting Detail Figures 1-1, 1-2 and 1-3 for minimum floor thickness and minimum pad sizes. See mounting diagram for overall washer dimensions.

Refer to appropriate model Figure 1-4 for side by side mounting dimensions.

2.3.1 WASHER INSTALLATION ON EXISTING FLOOR:



2.3.2 WASHER INSTALLATION ON NEW FLOOR:



2.3.3 NEW PAD TIED TO EXISTING FLOOR:

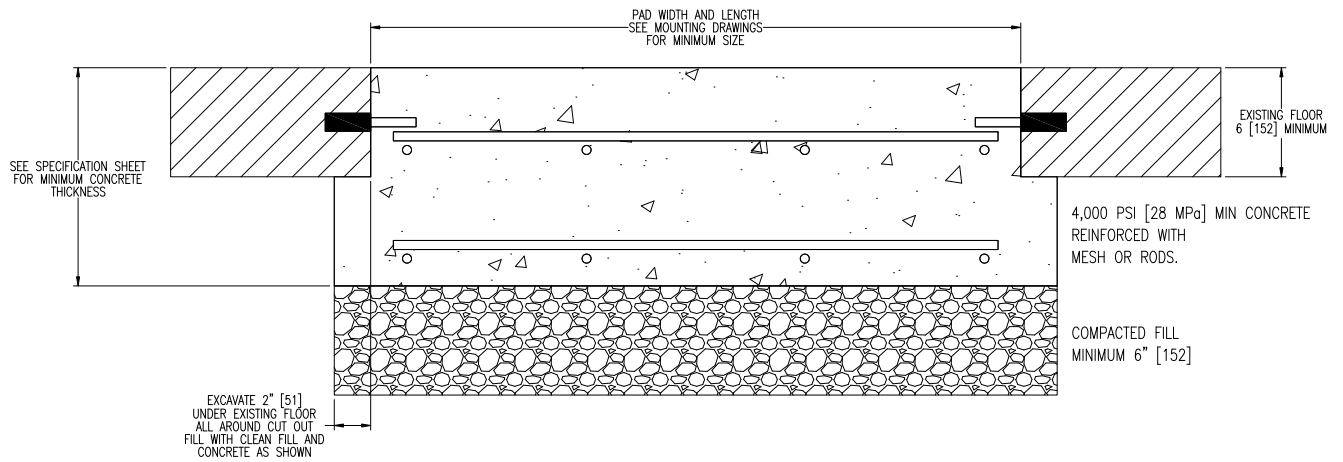
If the existing floor is not reinforced concrete that meets the minimum thickness requirements, DO NOT install a pad on top of the existing floor. The existing floor and the machine pad must be tied together as one piece as follows:

- 1) Cut an opening through the existing floor that is wider and deeper than the washer as shown below. See Machine Mounting Details for dimensions.
- 2) Excavate to a depth that allows for 6" [152] minimum of compacted fill plus the minimum required concrete thickness. Also excavate 2" [51] under the existing floor so that the new concrete is poured under the floor as well.
- 3) Back fill with clean fill dirt and compact dirt, making sure to allow for the minimum thickness concrete pad to be poured.
- 4) Drill holes around the perimeter of the existing floor to install reinforcing bars to tie the new pad to the existing floor. Drill 2-1/2" [64] deep into the existing floor on 12" [305] centers around the entire perimeter.
- 5) Clean holes and fill half-way with acrylic adhesive rated for commercial-grade machine installations.

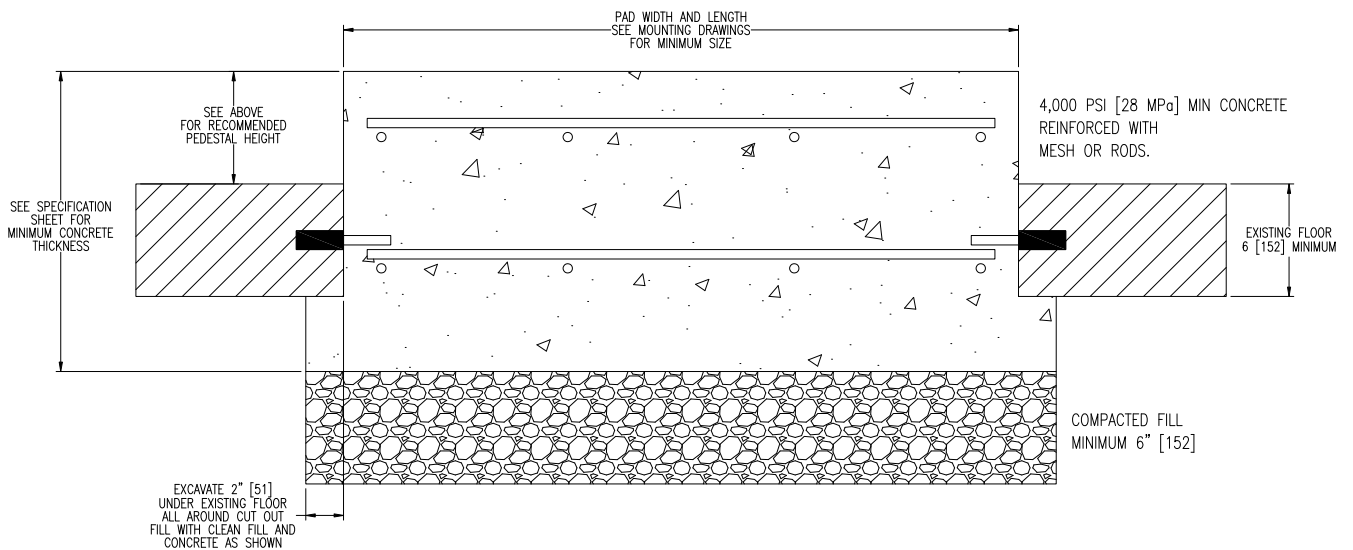
- 6) Use #4 (60 ksi) reinforcing bar to tie the new pad to the existing floor. Tie the bars together at intersections and use supports to hold bars in the proper depth in the pad.
- 7) After adhesive has cured, pour 4000 psi concrete up to level with the existing floor plus any extra elevated pedestal desired 4-10" [102-254].

Concrete must be done in one pour so that the entire pad cures as one piece.

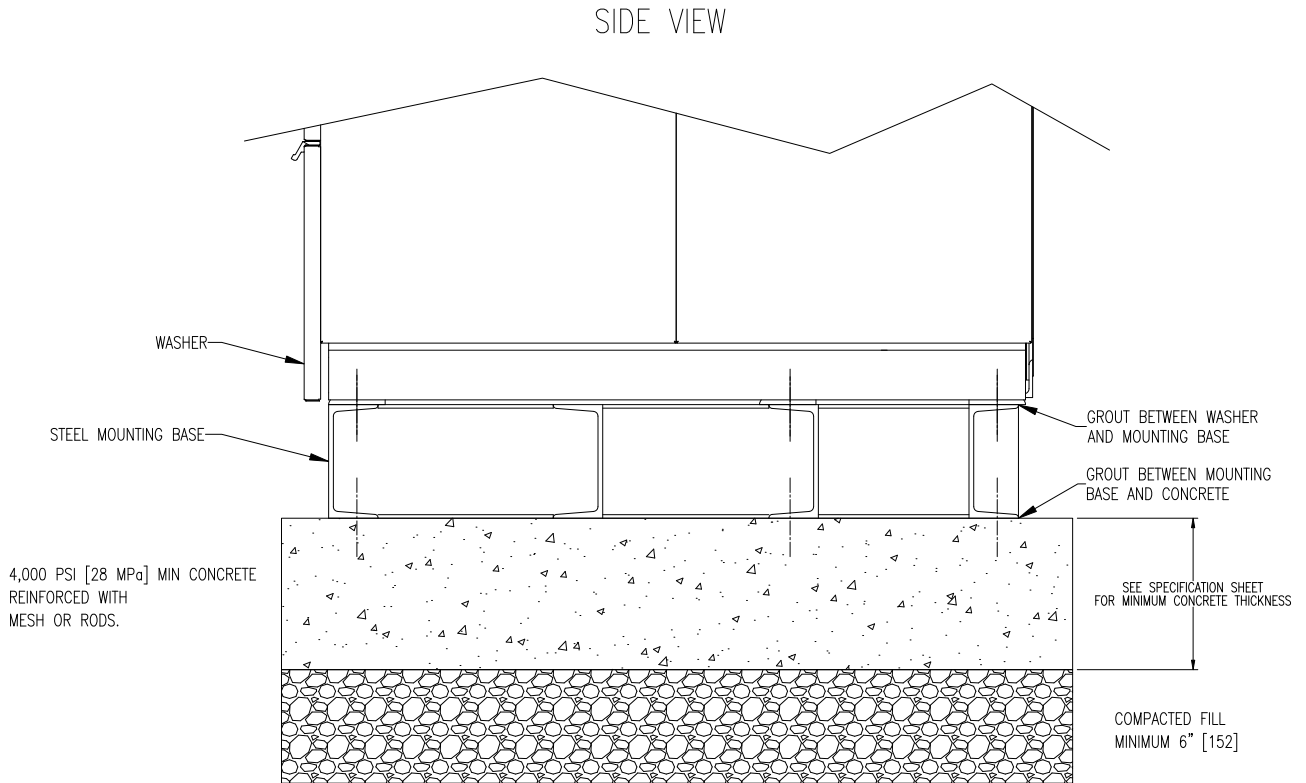
2.3.3.1 NEW PAD TIED TO EXISTING FLOOR (LEVEL WITH FLOOR):



2.3.3.2 NEW RAISED CONCRETE PEDESTAL TIED TO EXISTING FLOOR:



2.3.4 STEEL MOUNTING BASE ON CONCRETE FLOOR:



2.4 MACHINE ANCHORING

All installations require concrete floors and quality grade anchor bolts or expansion anchors. Mounting hardware is not provided with the machines. Refer to appropriate model Machine Mounting Detail Figures 1-1, 1-2 and 1-3 for floor thickness and bolt sizes. See mounting diagram for overall washer dimensions.

EXPANSION ANCHORS ARE NOT RECOMMENDED FOR USE IN RAISED CONCRETE PEDESTALS BECAUSE THE ANCHORS ARE TOO CLOSE TO AN EDGE, CAUSING IT TO BREAK OUT.

ANCHORING OPTIONS:

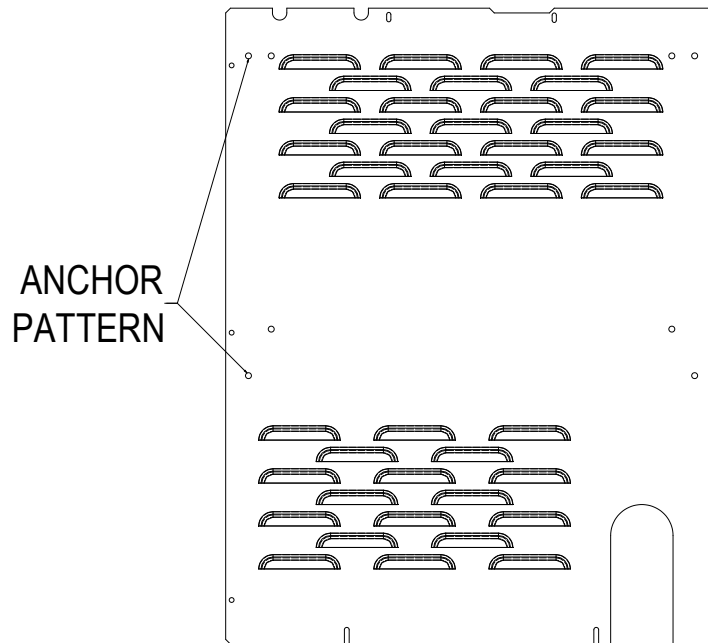
2.4.1 Cast in place bolts headed by square fish plates. See Machine Mounting Detail Figures 1-1 thru 1-3 for exact washer model.

Or after concrete has completely cured:

2.4.2 Use Hilti Adhesive System 'HAS' Rods and adhesive capsules. See Machine Mounting Detail Figures 1-1 thru 1-3 for exact washer model.

2.4.3 Or use an equivalently rated epoxy or acrylic adhesive anchor.

As an installation aid, the anchor pattern can be found on the back panel of the washers and can be used as a template. Compare panel to the mounting dimension drawing to find the right holes.
Example:



2.5 MACHINE GROUTING

After concrete has cured completely and anchors have cured completely into place:

2.5.1 Position washer over the mounting anchors.

2.5.2 Raise the washer 1/2" [12.7] off the mounting surface and place spacers under the corners of the washer base.

2.5.3 Level the washer, leaving washer at least 1/2" [12.7] off the mounting surface.

Do not permanently support the washer with spacers under the corners. Machine must be grouted, and spacers must be removed.

*2.5.4 Mix non-shrinking machinery grout according to the grout instructions. The grout should not be too runny or too firm. **Completely fill** the 1/2" [12.7] space between the washer base and the mounting surface. Force grout under all base angles and plates until completely filled. Fill around all anchor bolts.*

2.5.5 Finger tighten all nuts to anchor bolts.

2.5.6 When the grout has started to stiffen (but before it is cured), remove the spacers from the corners and allow the washer to settle into the wet grout. Fill in any voids as necessary with additional grout.

2.5.7 Allow grout to completely cure, then tighten all nuts to securely fasten the washer to the grouted mounting surface.

2.5.8 Retighten nuts after 5 days of operation and check quarterly.

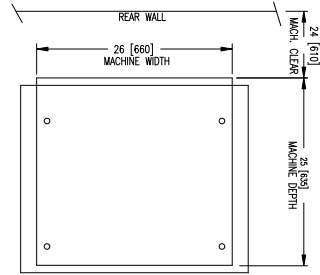
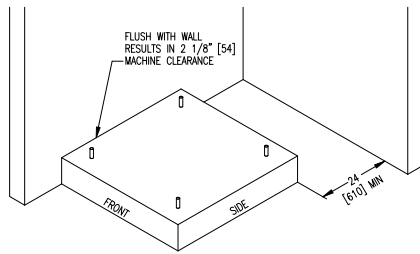
If using a steel mounting base, first grout the steel mounting base to the concrete floor using the above steps, then repeat the steps for mounting and grouting the washer to the steel mounting base.

2.6 FLOOR LOAD DATA

DEXTER DYNAMIC LOADING CHART										
Model	Dry Weight Capacity (lb [kg])	Extract Speed (RPM)	Extract G-Force	Maximum Static Load (lb [kN])	Static Load Pressure (lb/sq ft [kN/ sq m])	Total Dynamic Load (lb [kN])	Dynamic Load Pressure (lb/sq ft [kN/ sq m])	Dynamic Load Frequency (Hz)	Maximum Vertical Load (lb [kN])	Maximum Moment About Washer Base (ft*lbs [m-kN])
T-300	20 [9.1]	579	100	381 [1.7]	91 [4.3]	400 [1.8]	95 [4.6]	9.7	737 [3.3]	785 [1.1]
T-350	20 [9.1]	819	200	447 [2.0]	94 [4.5]	800 [3.6]	168 [8.0]	13.7	1203 [5.4]	1571 [2.1]
T-400	30 [13.6]	531	100	527 [2.3]	101 [4.8]	500 [2.7]	115 [5.5]	8.9	1062 [4.7]	1316 [1.8]
T-450	30 [13.6]	750	200	618 [2.7]	113 [5.4]	1200 [5.3]	220 [10.5]	12.5	1756 [7.8]	2631 [3.6]
T-600	40 [18.1]	531	100	686 [3.1]	97 [4.6]	800 [3.6]	113 [5.4]	8.9	1398 [6.2]	1754 [2.4]
T-650	40 [18.1]	750	200	882 [3.9]	134 [6.4]	1600 [7.1]	243 [11.6]	12.5	2384 [10.6]	3508 [4.8]
T-750	50 [22.7]	685	200	1119 [5.0]	166 [7.9]	2000 [8.9]	297 [14.2]	11.4	2970 [13.2]	4667 [6.3]
T-900	60 [27.2]	485	100	1170 [5.2]	146 [7.0]	1200 [5.3]	149 [7.2]	8.1	2224 [9.9]	2800 [3.8]
T-950	60 [27.2]	685	200	1206 [5.4]	150 [7.2]	2400 [10.7]	299 [14.3]	11.4	3460 [15.4]	5600 [7.6]
T-1200	80 [36.3]	485	100	1288 [5.7]	136 [6.5]	1600 [7.1]	169 [8.1]	8.1	2702 [12.0]	4067 [5.5]
T-1450	90 [40.8]	617	200	1635 [7.3]	163 [7.8]	3600 [16.0]	360 [17.2]	10.3	5012 [22.3]	9413 [12.8]
T-1800	120 [54.4]	436	100	1818 [8.1]	158 [7.6]	2400 [10.7]	208 [10]	7.3	3935 [17.5]	6275 [8.5]

Note: The out-of-balance loading conditions may vary depending on load size, model and material.

2.7 MOUNTING DETAILS



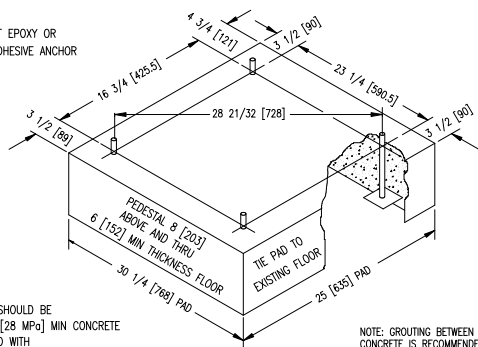
FLOOR OUTLINE
Figure 1-2

ANCHORS: 1/2" X 8" GRADE 5 BOLTS
HEADED BY 4" SQ. FISH PLATE OR EQUIV.
(1 7/8" BOLT PROTRUSION)

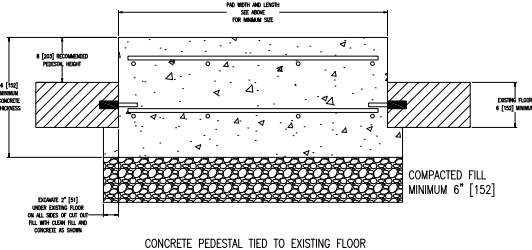
ANCHORS: 14mm X 200mm GRADE 5 BOLTS
HEADED BY 100mm SQ. FISH PLATE OR EQUIV.
(48mm BOLT PROTRUSION)

OR
'HILTI' ADHESIVE ANCHORING SYSTEM.
HILTI 'HAS' SUPER RODS 1/2 X 8 AND ADHESIVE CAPSULES
FOR MORE INFORMATION CALL
HILTI CUSTOMER SERVICE
1-800-879-8000

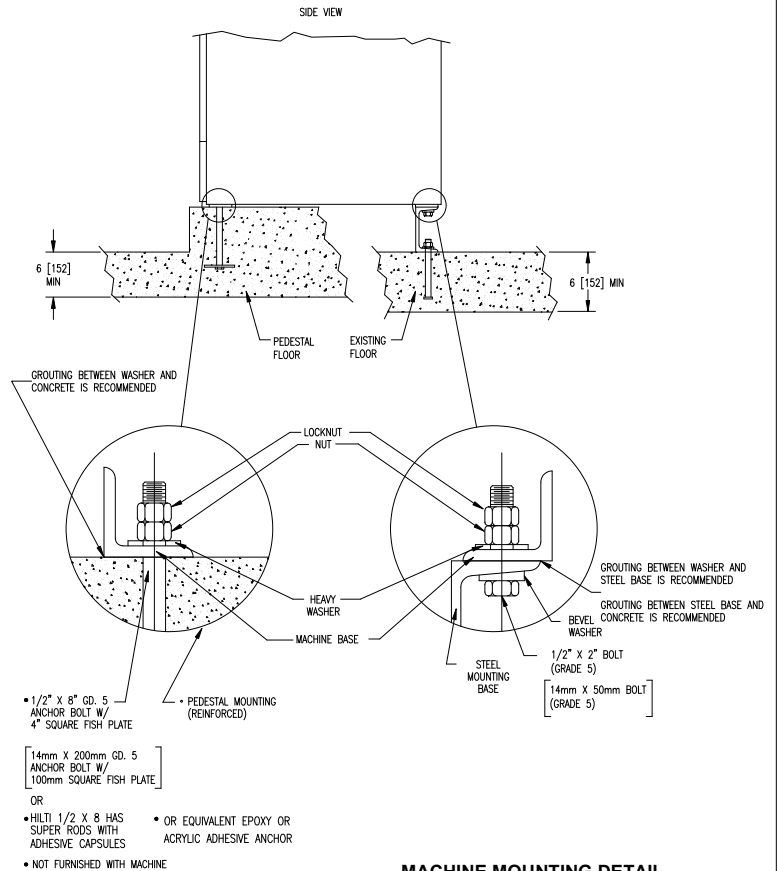
OR
EQUIVALENT EPOXY OR
ACRYLIC ADHESIVE ANCHOR



PEDESTAL SHOULD BE
4,000 PSI [28 MPa] MIN CONCRETE
REINFORCED WITH
MESH OR RODS.



RAISED CONCRETE PEDESTAL MOUNTING OPTION
Figure 1-1



• 1/2" X 8" GD. 5
ANCHOR BOLT W/
4" SQUARE FISH PLATE

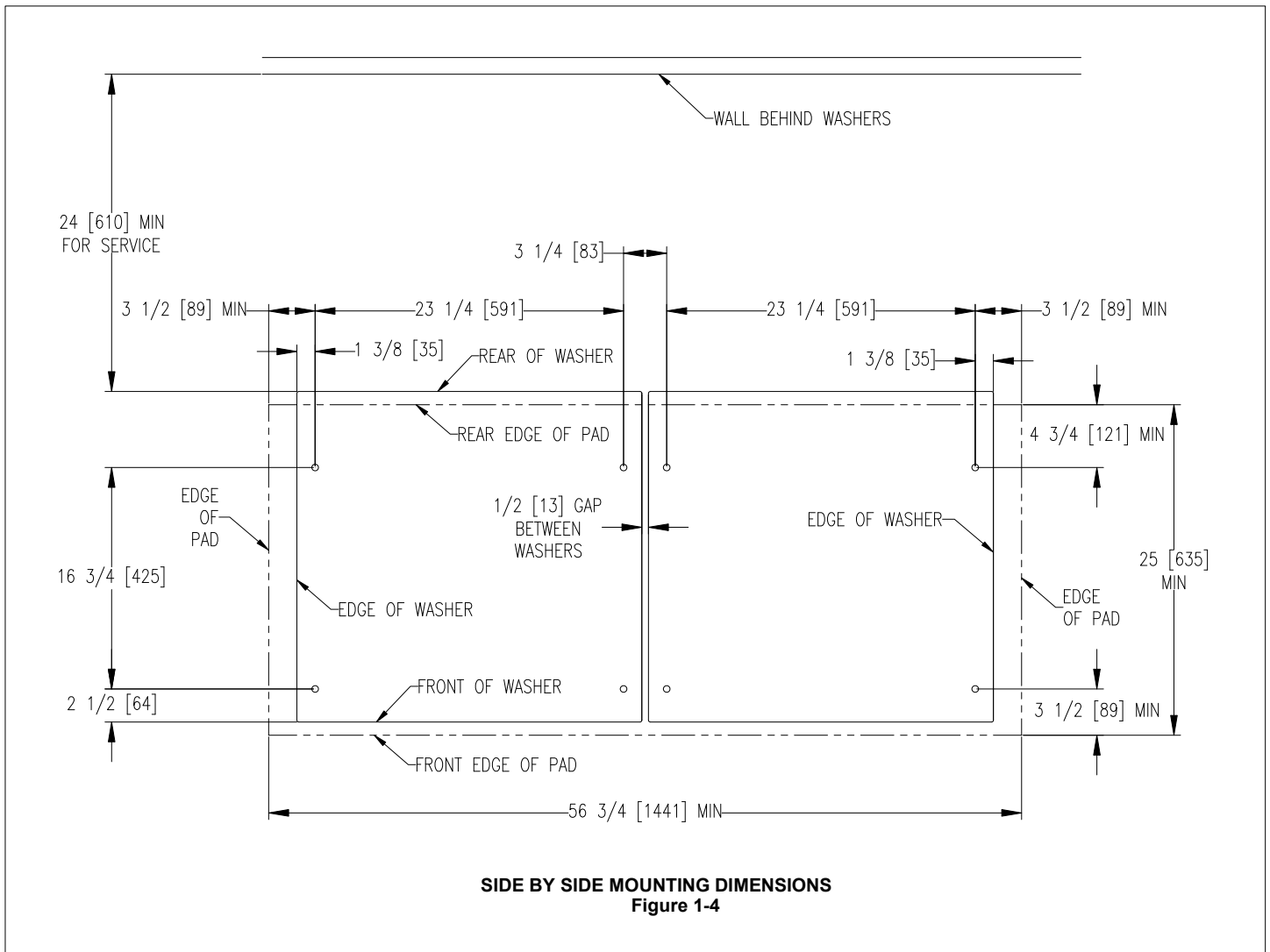
[14mm X 200mm GD. 5
ANCHOR BOLT W/
100mm SQUARE FISH PLATE]

OR
• HILTI 1/2 X 8 HAS
SUPER RODS WITH
ADHESIVE CAPSULES
• NOT FURNISHED WITH MACHINE

• OR EQUIVALENT EPOXY OR
ACRYLIC ADHESIVE ANCHOR

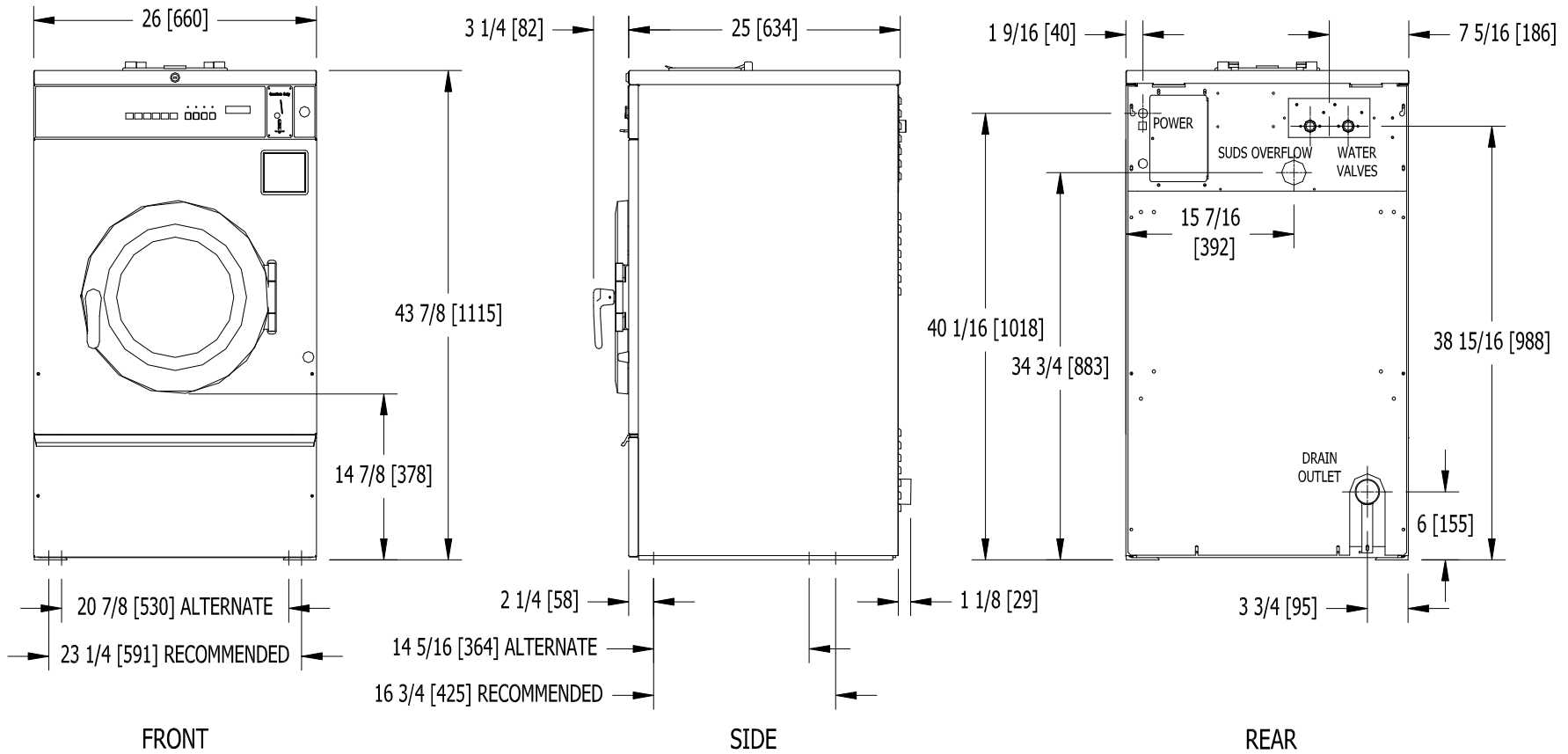
MACHINE MOUNTING DETAIL
Figure 1-3

2.7.1 T-300 Machine Mounting Detail

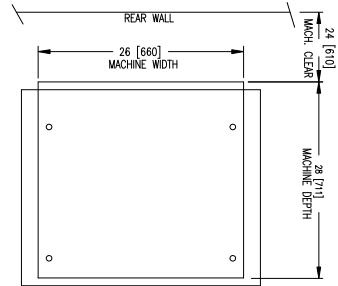
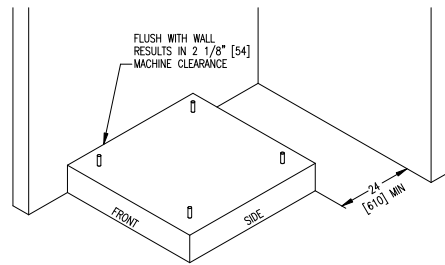


2.7.2 T-300 Machine Side By Side Mounting Detail

T-300 COMMERCIAL WASHER MOUNTING DIMENSIONS



2.7.3 T-300 Commercial Washer Dimensions

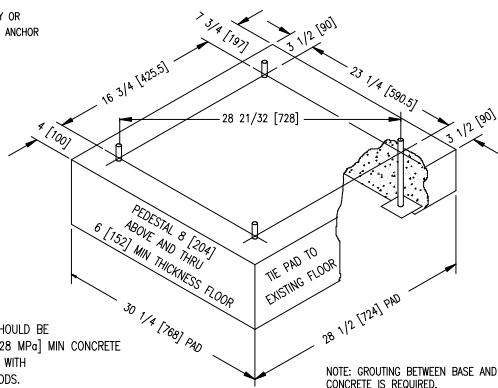


FLOOR OUTLINE
Figure 1-2

5/8" X 8" GD. 8 BOLTS
HEADED BY 4" SQ. FISH PLATE OR EQUIV.
(1 7/8" BOLT PROTRUSION)

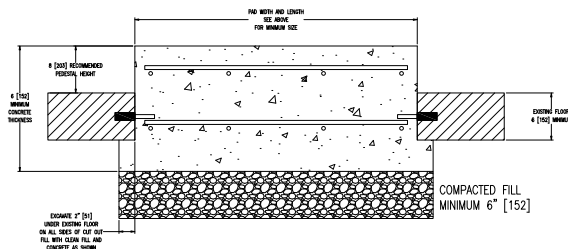
[ANCHORS: 16mm X 200mm GRADE 8 BOLTS
HEADED BY 100 SQ. FISH PLATE OR EQUIV.
(48mm BOLT PROTRUSION)]

OR
"HILTI" ADHESIVE ANCHORING SYSTEM.
HILTI "HAS" SUPER RODS 5/8 X 8 AND ADHESIVE CAPSULES
FOR MORE INFORMATION CALL
HILTI CUSTOMER SERVICE
1-800-879-8000
OR
EQUIVALENT EPOXY OR
ACRYLIC ADHESIVE ANCHOR

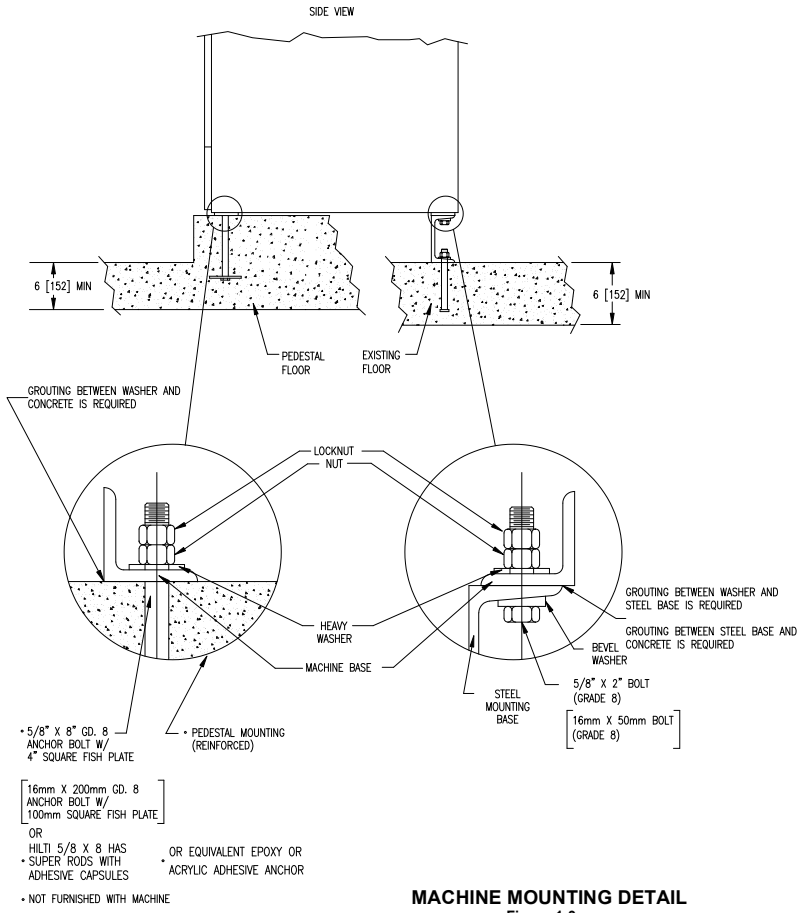


PEDESTAL SHOULD BE
4,000 PSI [28 MPa] MIN CONCRETE
REINFORCED WITH
MESH OR RODS.

NOTE: GROUTING BETWEEN BASE AND
CONCRETE IS REQUIRED.



RAISED CONCRETE PEDESTAL MOUNTING OPTION
Figure 1-1



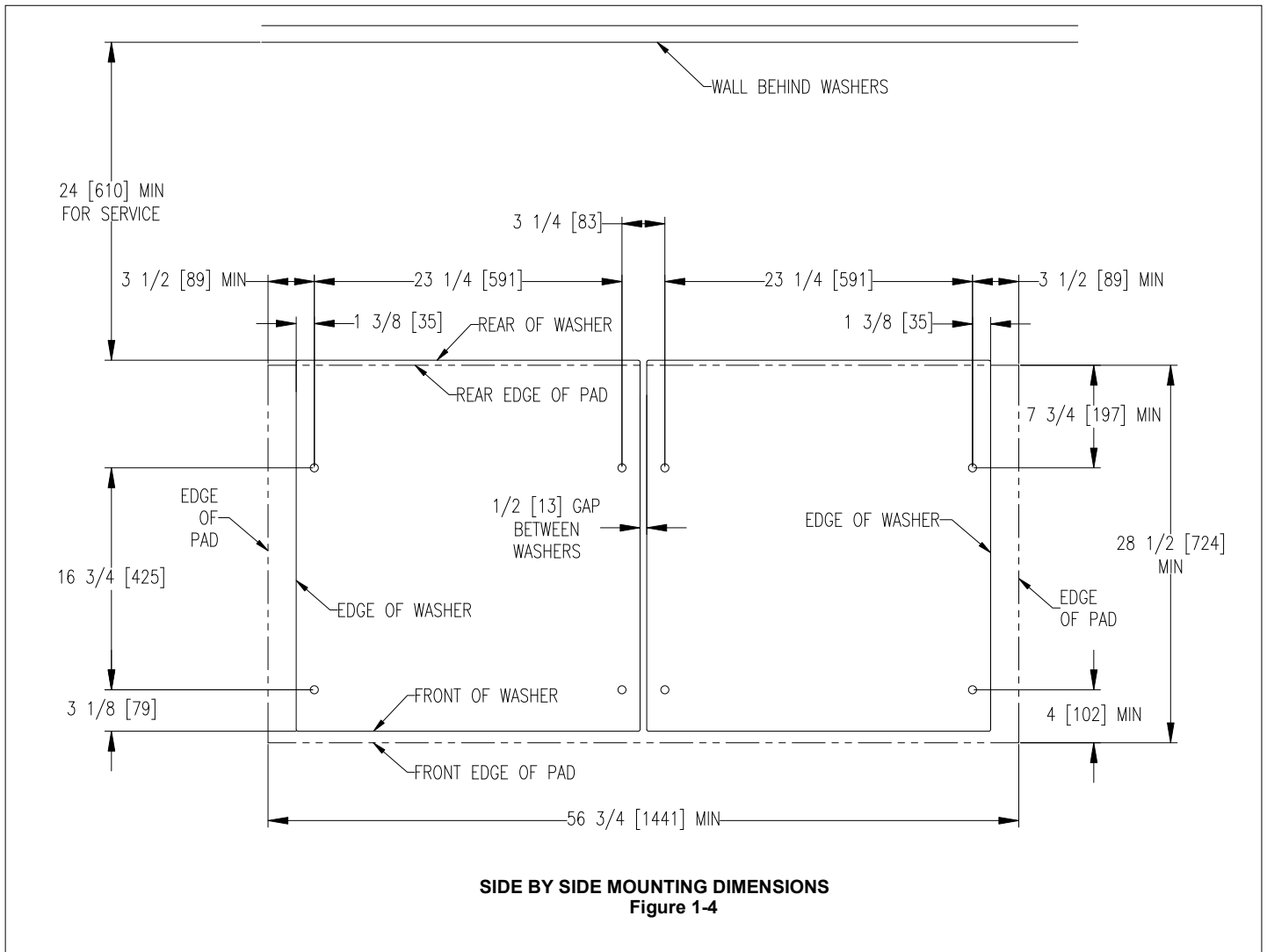
• 5/8" X 8" GD. 8 ANCHOR BOLT W/ 4" SQUARE FISH PLATE

[16mm X 200mm GD. 8 ANCHOR BOLT W/ 100mm SQUARE FISH PLATE]

OR
"HILTI" 5/8 X 8 HAS SUPER RODS WITH ADHESIVE CAPSULES
OR EQUIVALENT EPOXY OR ACRYLIC ADHESIVE ANCHOR
• NOT FURNISHED WITH MACHINE

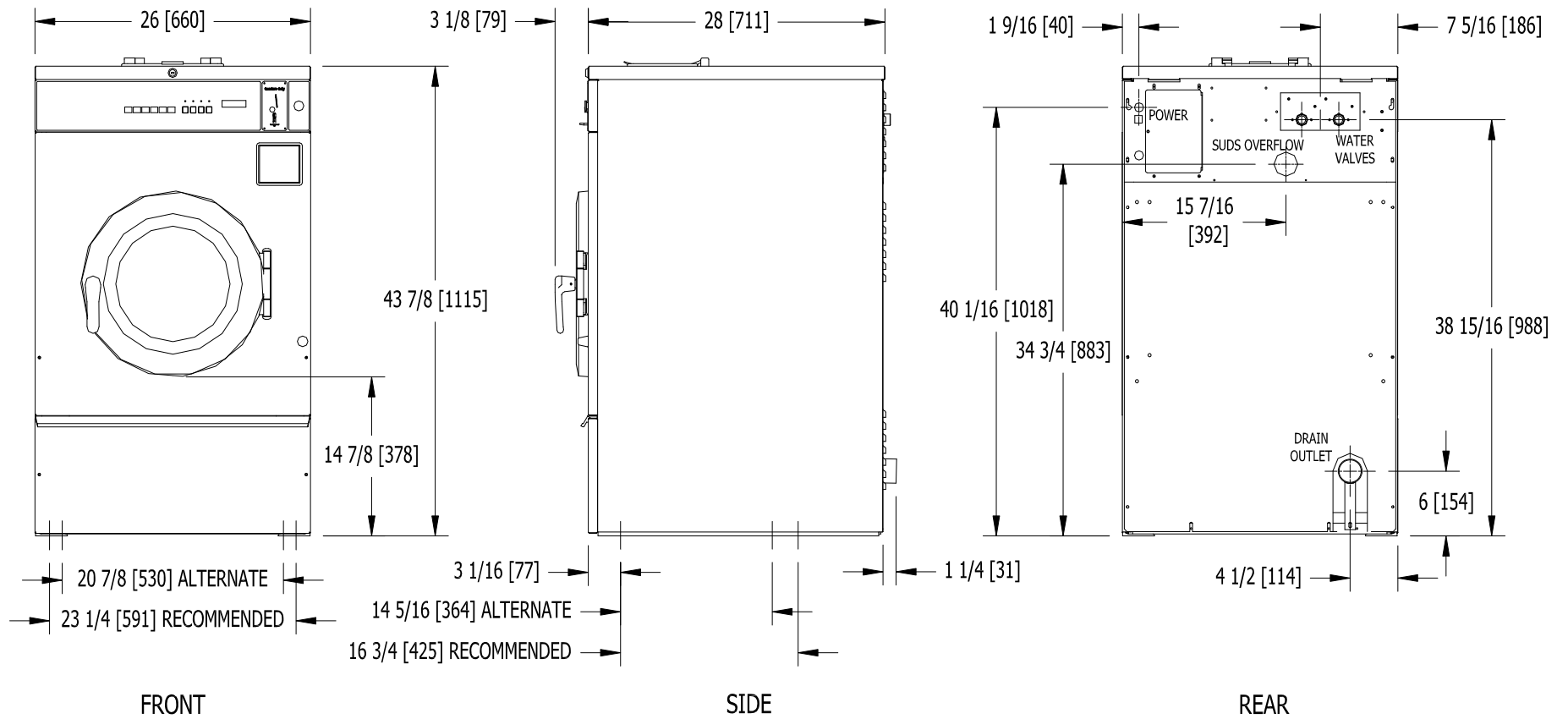
MACHINE MOUNTING DETAIL
Figure 1-3

2.7.4 T-350 Machine Mounting Detail

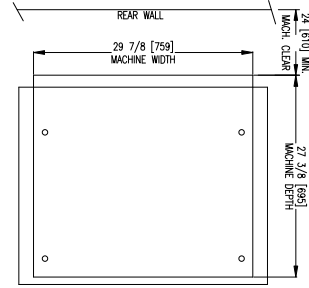
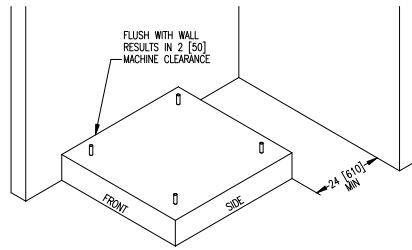


2.7.5 T-350 Machine Side By Side Mounting Detail

T-350 COMMERCIAL WASHER MOUNTING DIMENSIONS



2.7.6 T-350 Commercial Washer Dimensions

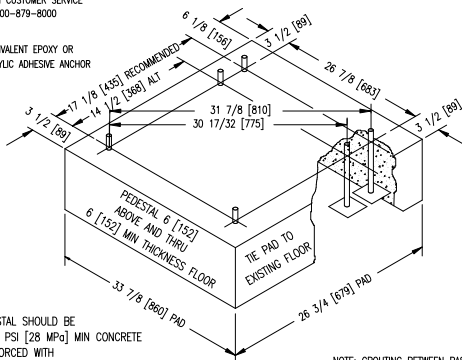


FLOOR OUTLINE
Figure 1-2

1/2" X 8" GD. 5 BOLTS
HEADED BY 4" SQ. FISH PLATE OR EQUIV.
(1 7/8" BOLT PROTRUSION)

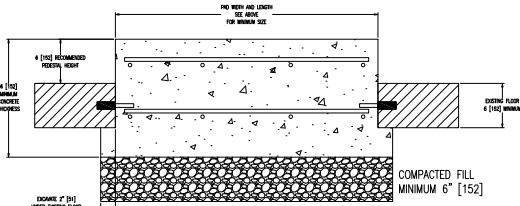
OR
"HILTI" ADHESIVE ANCHORING SYSTEM.
HILTI "HAS" SUPER RODS 1/2 X 8 AND ADHESIVE CAPSULES
FOR MORE INFORMATION CALL
HILTI CUSTOMER SERVICE
1-800-879-8000
OR
EQUIVALENT EPOXY OR
ACRYLIC ADHESIVE ANCHOR

[ANCHORS: 14mm X 200mm GRADE 5 BOLTS
HEADED BY 100mm SQ. FISH PLATE OR EQUIV.
(48mm BOLT PROTRUSION)]

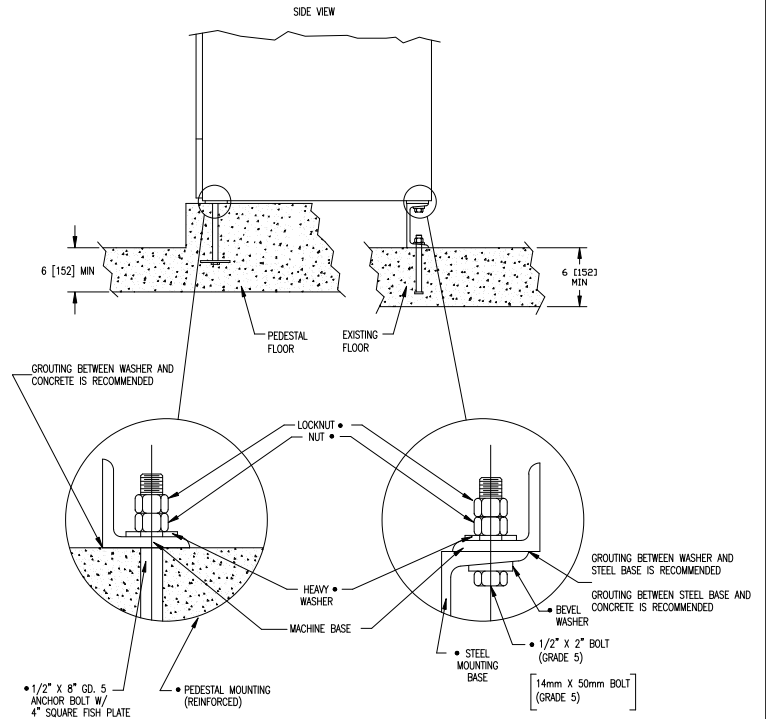


PEDESTAL SHOULD BE
4,000 PSI [28 MPa] MIN CONCRETE
REINFORCED WITH
MESH OR RODS.

NOTE: GROUTING BETWEEN BASE AND
CONCRETE IS RECOMMENDED.



RAISED CONCRETE PEDESTAL MOUNTING OPTION
Figure 1-1



• 1/2" X 8" GD. 5 ANCHOR BOLT W/ 4" SQUARE FISH PLATE

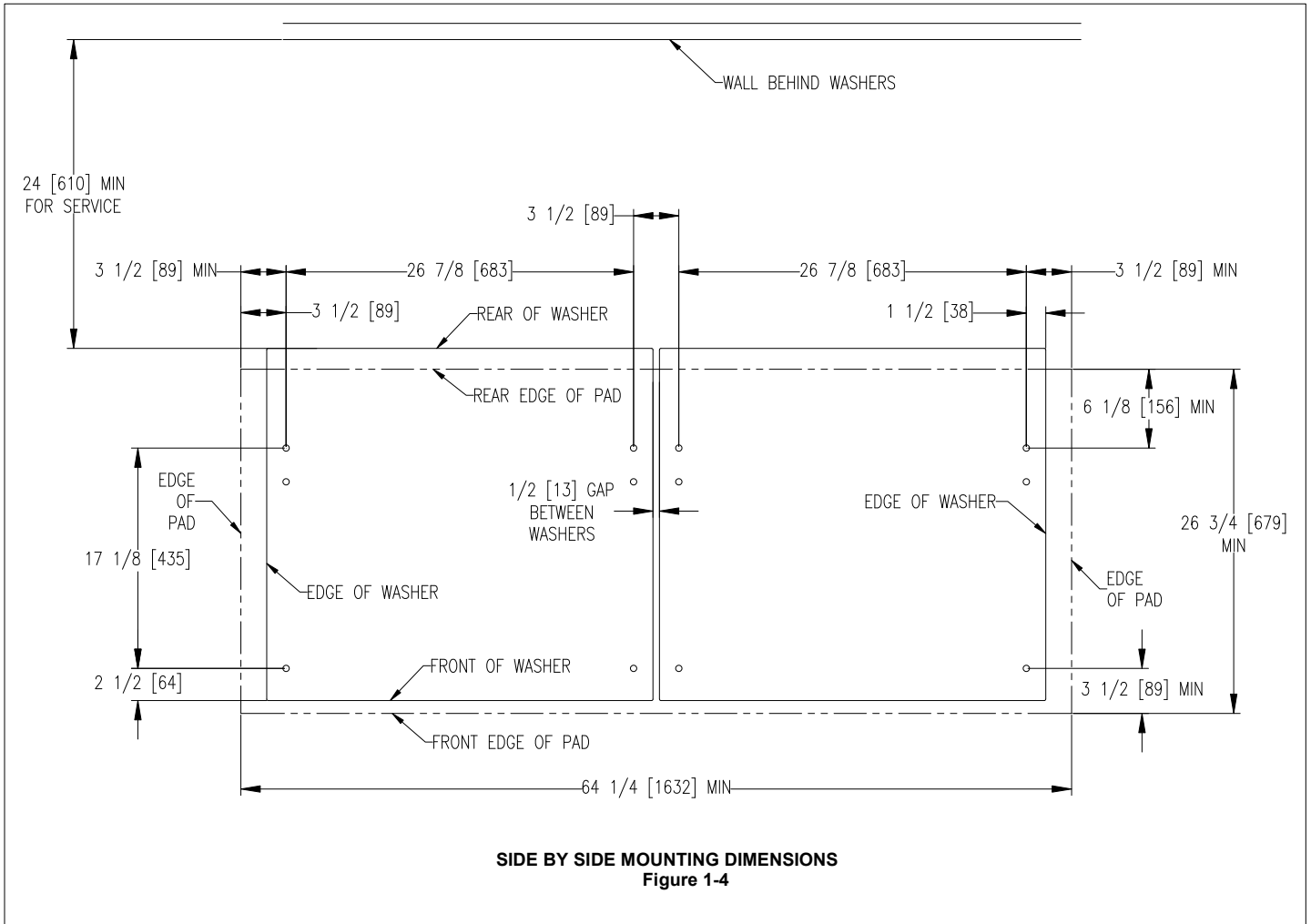
[14mm X 200mm GD. 5 ANCHOR BOLT W/ 100mm SQUARE FISH PLATE]

OR
• HILTI 1/2 X 8 HAS SUPER RODS WITH ADHESIVE CAPSULES
• OR EQUIVALENT EPOXY OR ACRYLIC ADHESIVE ANCHOR

• NOT FURNISHED WITH MACHINE

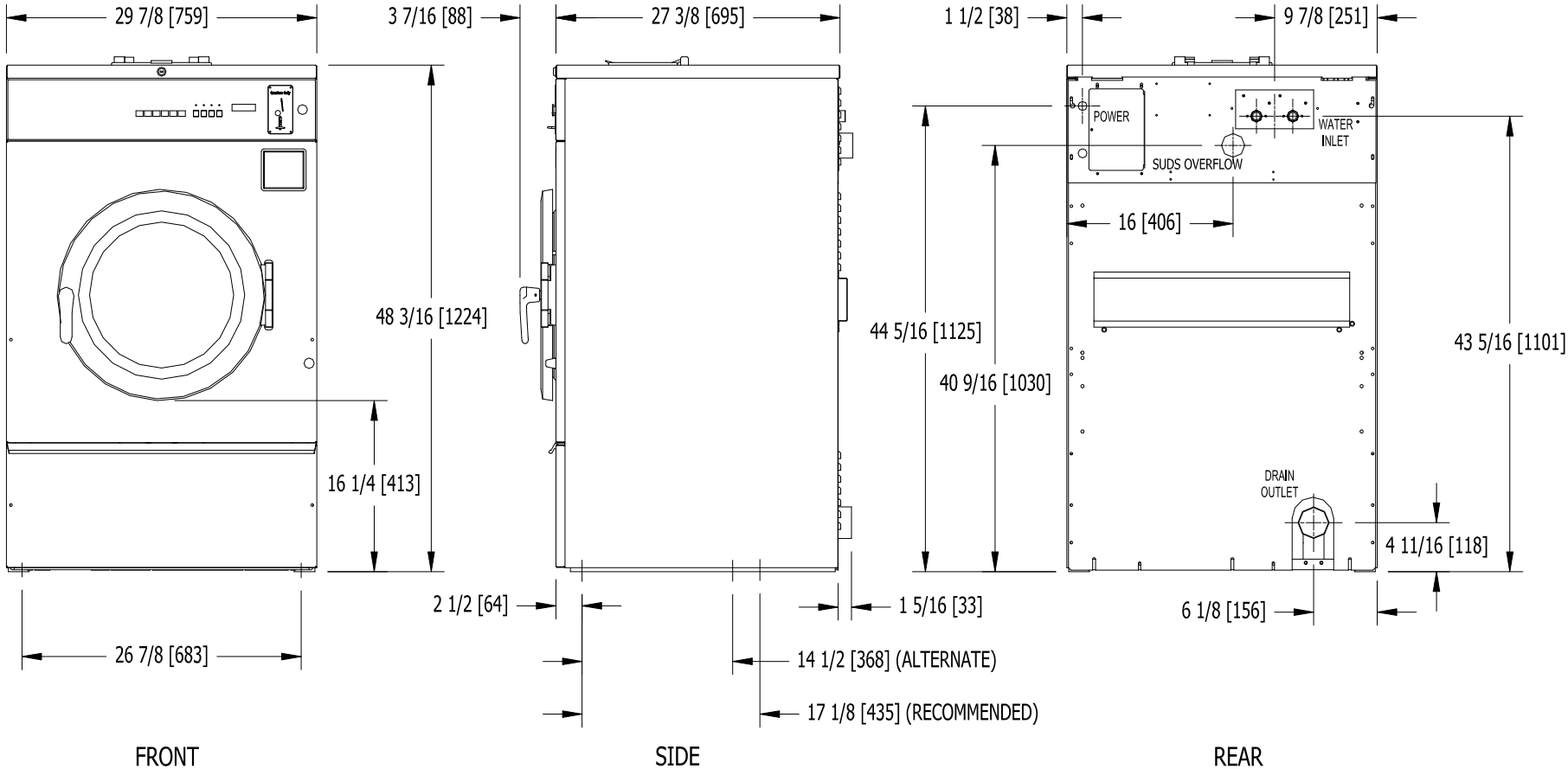
MACHINE MOUNTING DETAIL
Figure 1-3

2.7.7 T-400 Machine Mounting Detail

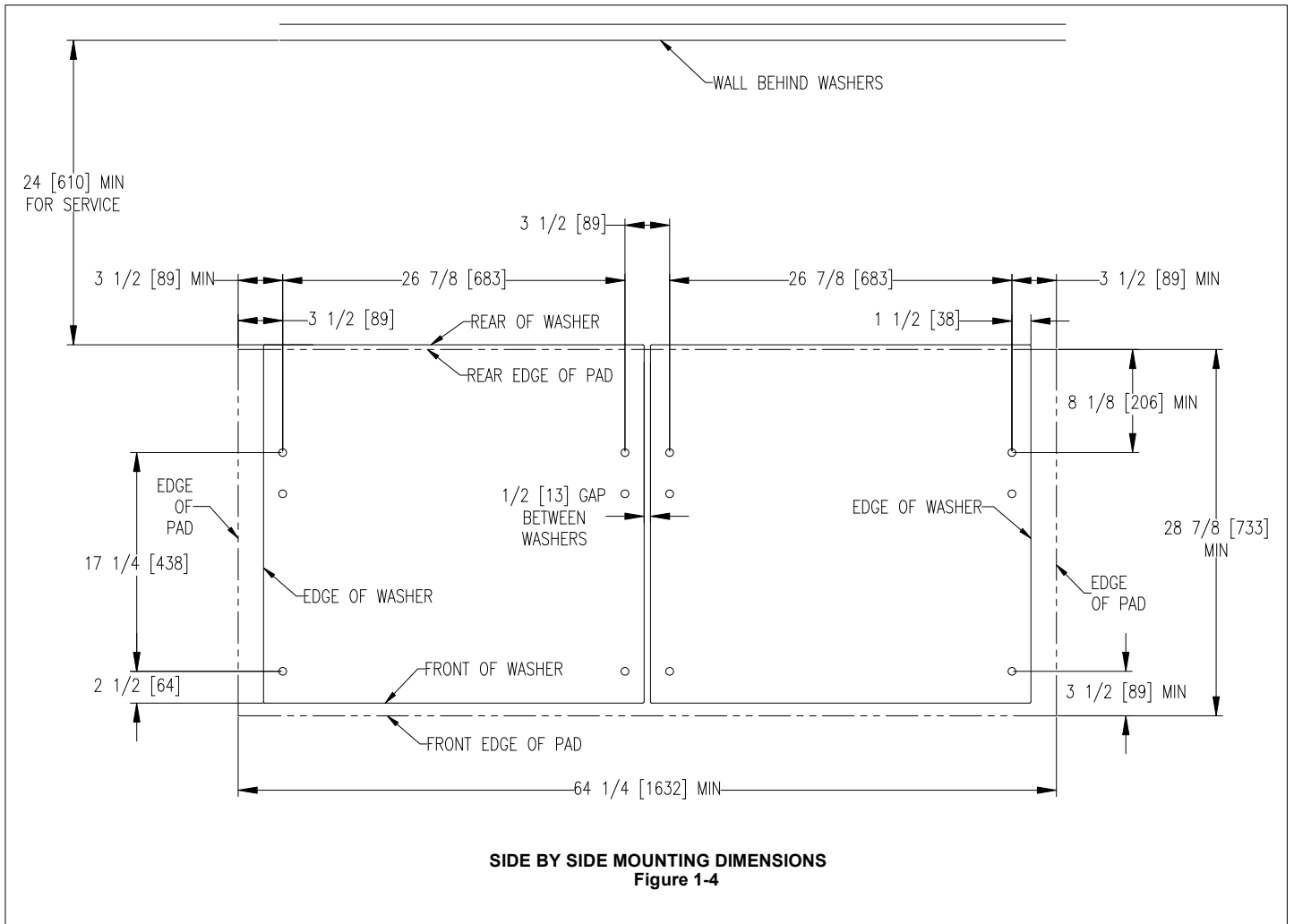


2.7.8 T-400 Machine Side By Side Mounting Detail

T-400 COMMERCIAL WASHER MOUNTING DIMENSIONS

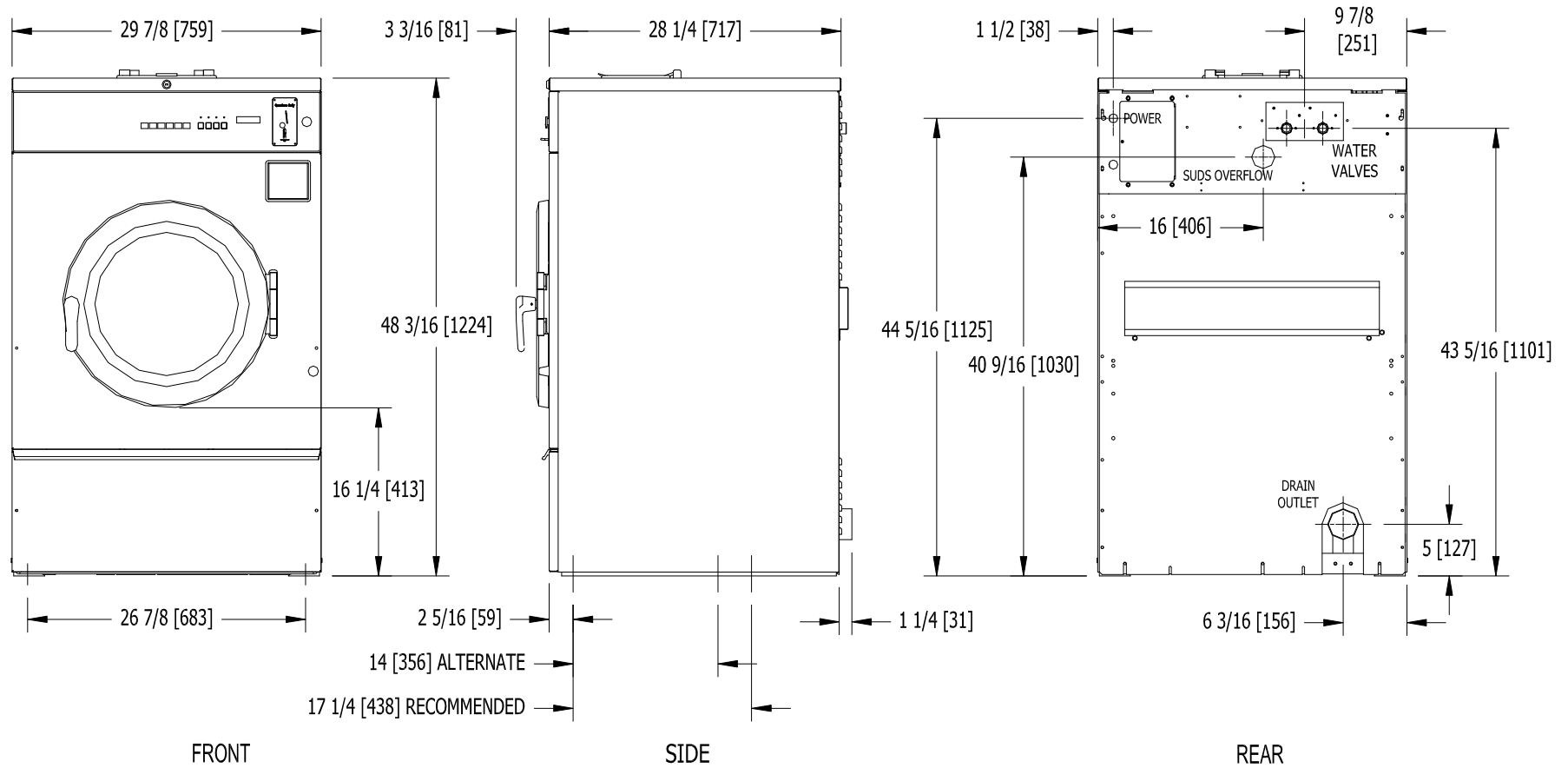


2.7.9 T-400 Commercial Washer Dimensions

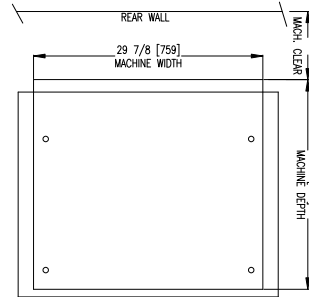
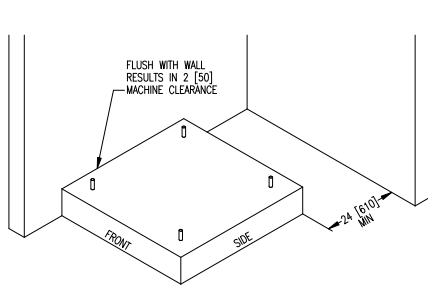


2.7.11 T-450 Machine Mounting Detail

T-450 COMMERCIAL WASHER MOUNTING DIMENSIONS



2.7.12 T-450 Commercial Washer Dimensions

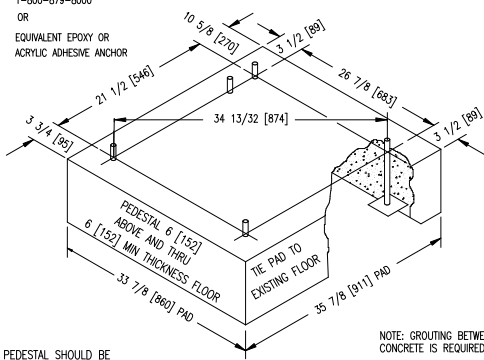


FLOOR OUTLINE
Figure 1-2

5/8" X 8" GD. 8 BOLTS
HEADED BY 4" SQ. FISH PLATE OR EQUIV.
(1 7/8" BOLT PROTRUSION)

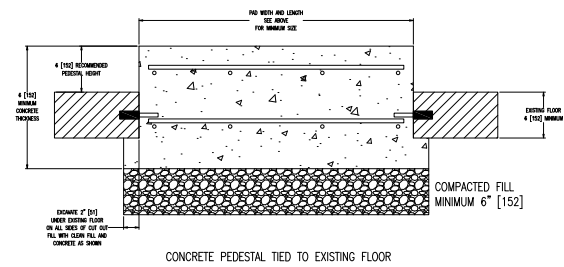
[ANCHORS: 16mm X 200mm GRADE 8 BOLTS
HEADED BY 100mm SQ. FISH PLATE OR EQUIV.
(48mm BOLT PROTRUSION)]

OR
"HILTI" ADHESIVE ANCHORING SYSTEM.
HILTI "HAS" SUPER RODS 5/8 X 8 AND ADHESIVE CAPSULES
FOR MORE INFORMATION CALL
HILTI CUSTOMER SERVICE
1-800-879-8000
OR
EQUIVALENT EPOXY OR
ACRYLIC ADHESIVE ANCHOR

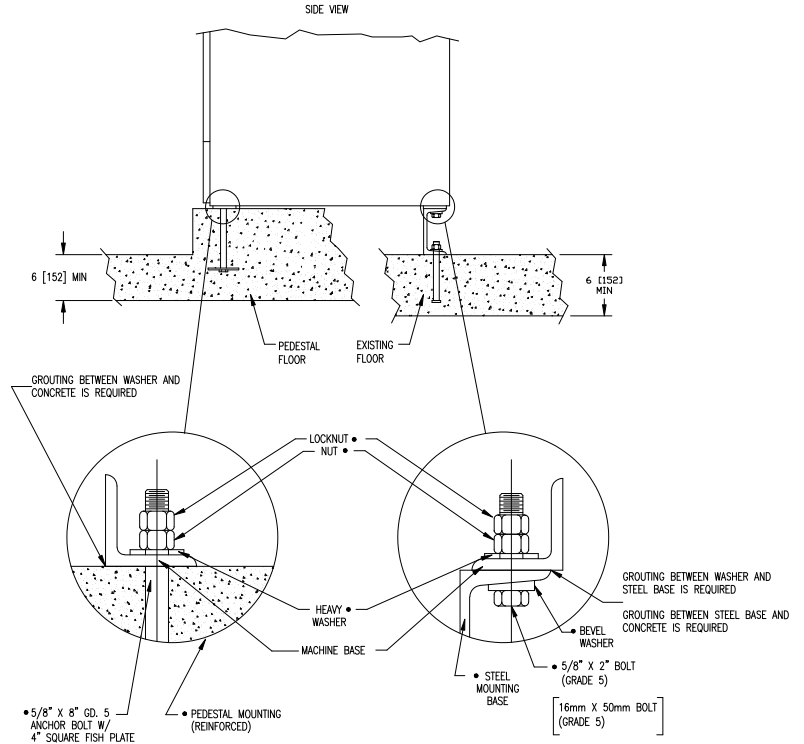


PEDESTAL SHOULD BE
4,000 PSI [28 MPa] MIN CONCRETE
REINFORCED WITH
MESH OR RODS.

NOTE: GROUTING BETWEEN BASE AND
CONCRETE IS REQUIRED.



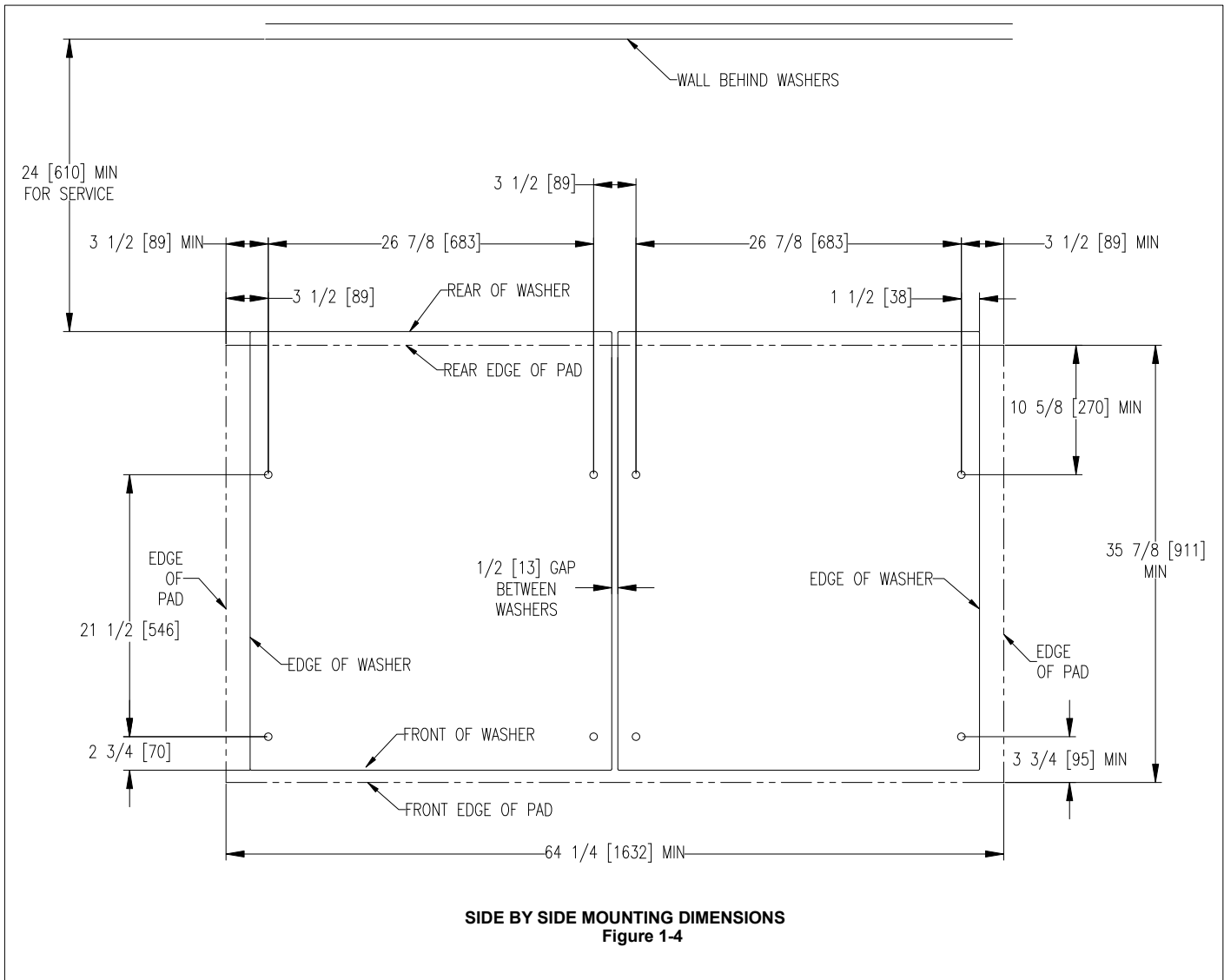
RAISED CONCRETE PEDESTAL MOUNTING OPTION
Figure 1-1



• 5/8" X 8" GD. 5 ANCHOR BOLT W/ 4" SQUARE FISH PLATE
OR
HILTI 5/8 X 8 HAS SUPER RODS WITH ADHESIVE CAPSULES
OR EQUIVALENT EPOXY OR ACRYLIC ADHESIVE ANCHOR

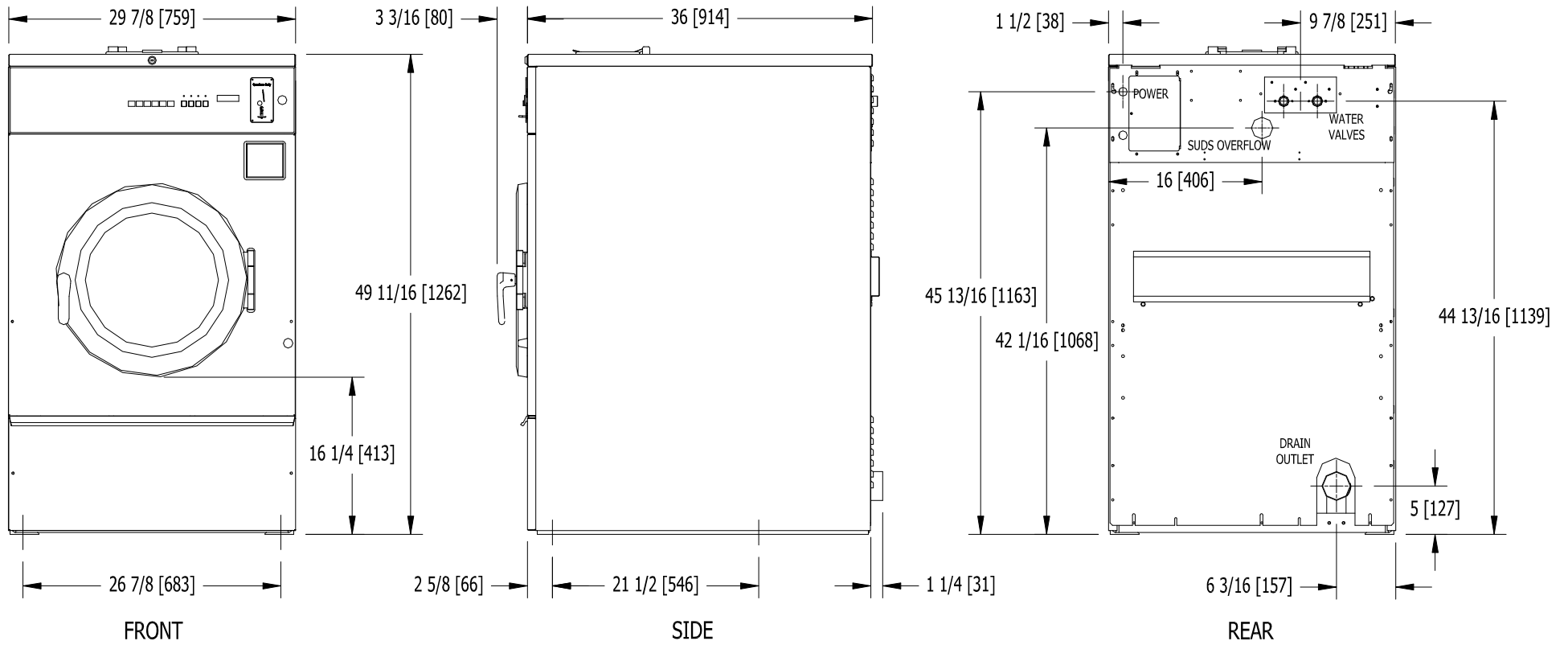
MACHINE MOUNTING DETAIL
Figure 1-3

2.7.13 T-600 Machine Mounting Detail

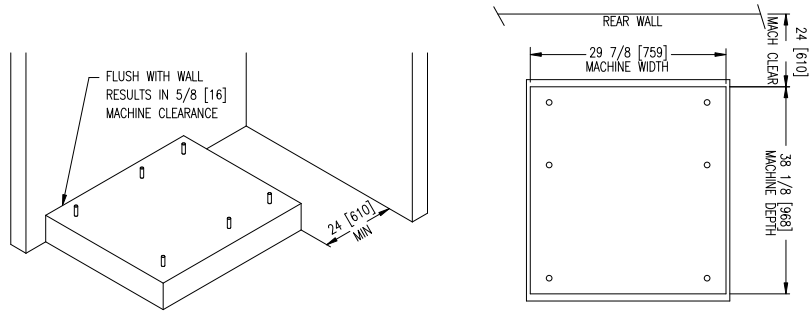


2.7.14 T-600 Machine Mounting Detail

T-600 COMMERCIAL WASHER MOUNTING DIMENSIONS



2.7.15 T-600 Commercial Washer Dimensions



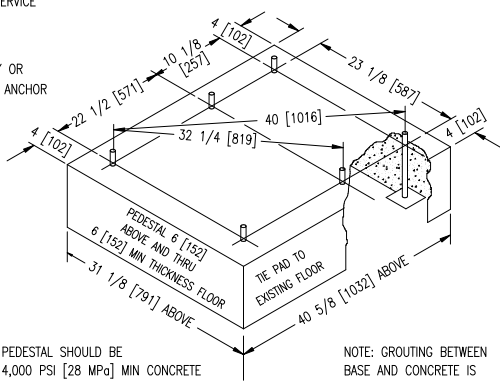
FLOOR OUTLINE
Figure 1-2

3/4" X 8" GD. 8 BOLTS
HEADED BY 4" SQ. FISH PLATE OR EQUIV.
(2 1/2" BOLT PROTRUSION)

[19mm X 200mm GD. 8 BOLTS
HEADED BY 100mm SQ. FISH PLATE
OR EQUIV.
(64mm BOLT PROTRUSION)]

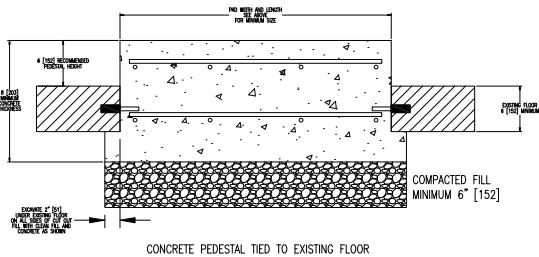
OR
'HILTI' ADHESIVE ANCHORING SYSTEM.
HILTI 'HAS' SUPER RODS 3/4 X 10 AND ADHESIVE CAPSULES
FOR MORE INFORMATION CALL
HILTI CUSTOMER SERVICE
1-800-879-8000

OR
EQUIVALENT EPOXY OR
ACRYLIC ADHESIVE ANCHOR

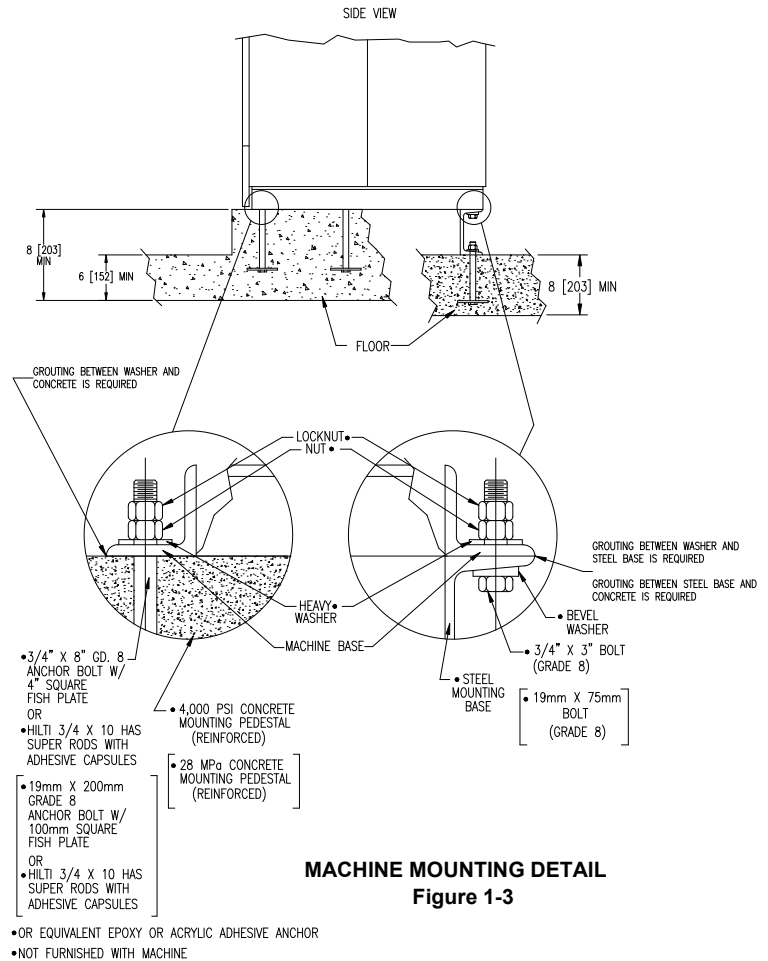


PEDESTAL SHOULD BE
4,000 PSI [28 MPa] MIN CONCRETE
REINFORCED WITH
MESH OR RODS.

NOTE: GROUTING BETWEEN
BASE AND CONCRETE IS
REQUIRED.



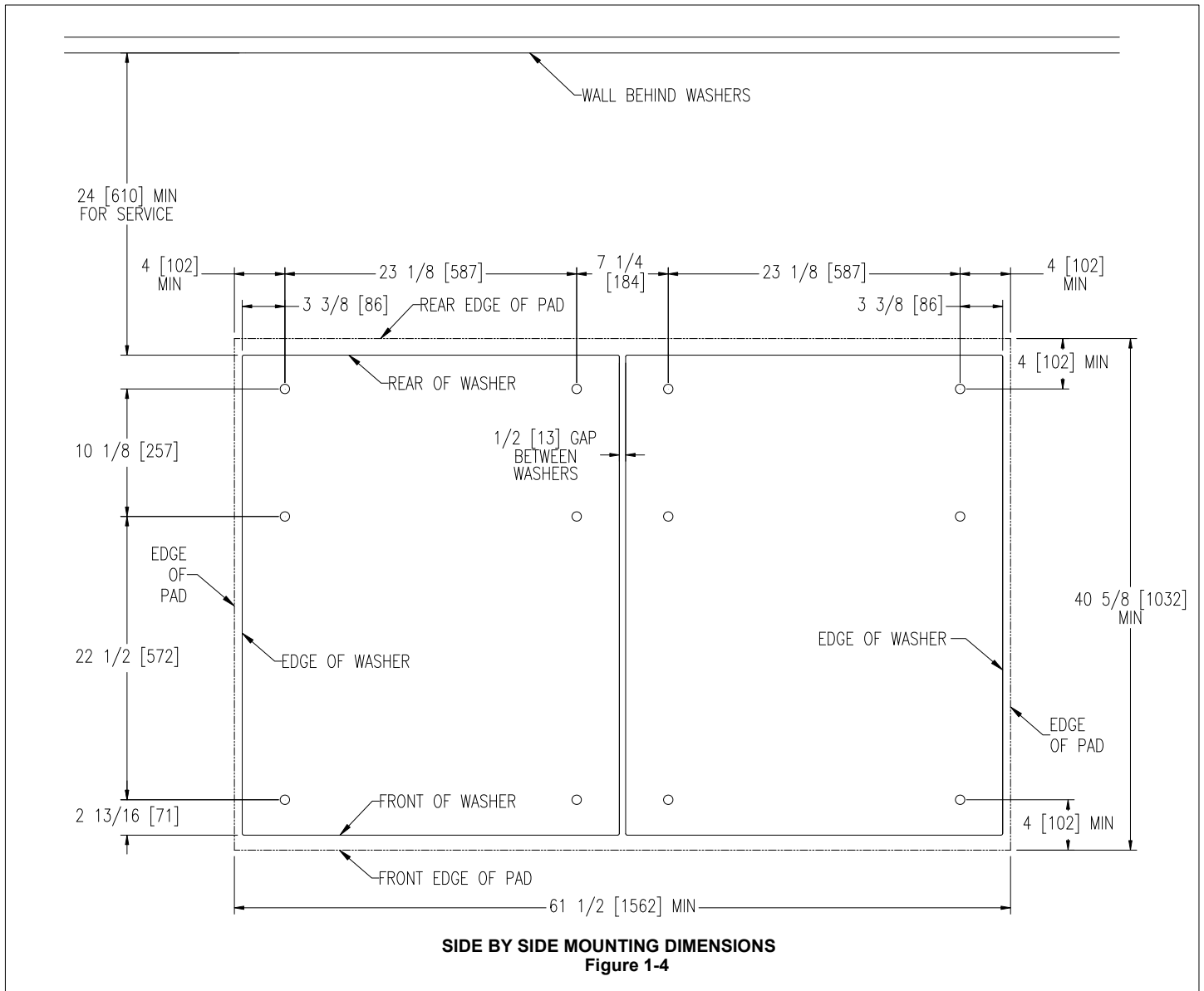
RAISED CONCRETE PEDESTAL MOUNTING OPTION
Figure 1-1



MACHINE MOUNTING DETAIL
Figure 1-3

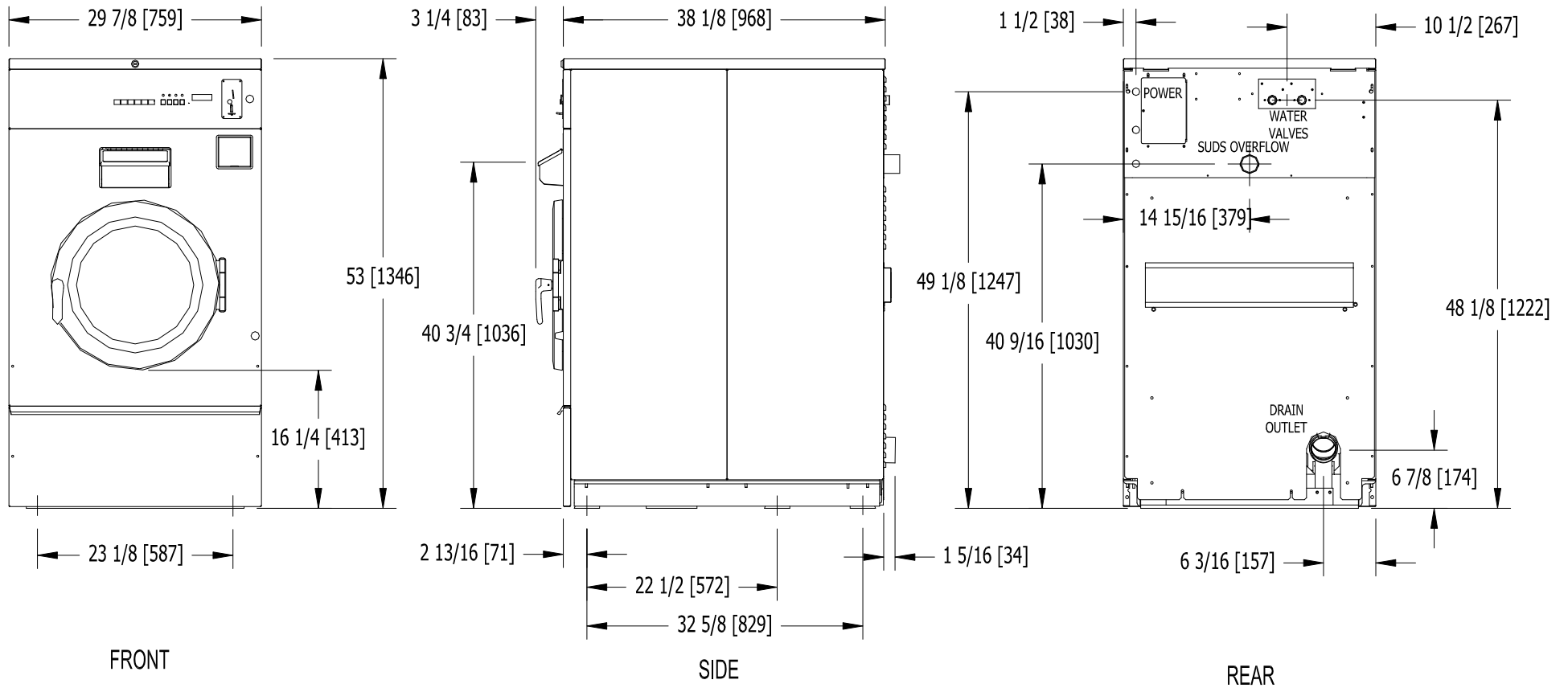
- 3/4" X 8" GD. 8 ANCHOR BOLT W/ 4" SQUARE FISH PLATE
- OR
- HILTI 3/4 X 10 HAS SUPER RODS WITH ADHESIVE CAPSULES
- 4,000 PSI CONCRETE MOUNTING PEDESTAL (REINFORCED)
- 28 MPa CONCRETE MOUNTING PEDESTAL (REINFORCED)
- 19mm X 200mm GRADE 8 ANCHOR BOLT W/ 100mm SQUARE FISH PLATE
- OR
- HILTI 3/4 X 10 HAS SUPER RODS WITH ADHESIVE CAPSULES
- 19mm X 75mm BOLT (GRADE 8)
- 3/4" X 3" BOLT (GRADE 8)
- STEEL MOUNTING BASE
- BEVEL WASHER
- HEAVY WASHER
- MACHINE BASE
- 4,000 PSI CONCRETE MOUNTING PEDESTAL (REINFORCED)
- 28 MPa CONCRETE MOUNTING PEDESTAL (REINFORCED)
- GROUTING BETWEEN WASHER AND CONCRETE IS REQUIRED
- GROUTING BETWEEN WASHER AND STEEL BASE IS REQUIRED
- GROUTING BETWEEN STEEL BASE AND CONCRETE IS REQUIRED
- OR EQUIVALENT EPOXY OR ACRYLIC ADHESIVE ANCHOR
- NOT FURNISHED WITH MACHINE

2.7.16 T-650 Machine Mounting Detail

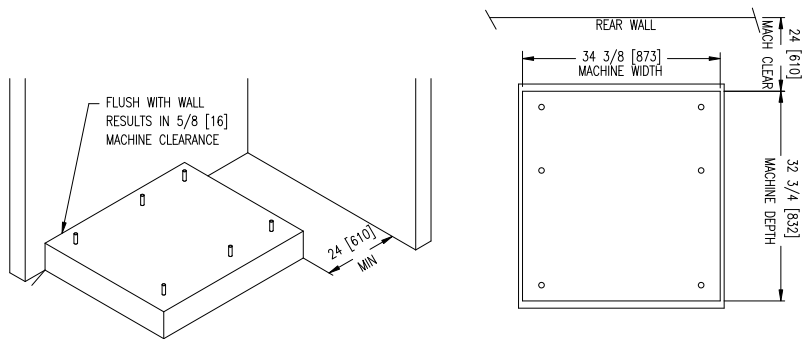


2.7.17 T-650 Machine Side By Side Mounting Detail

T-650 COMMERCIAL WASHER MOUNTING DIMENSIONS



2.7.18 T-650 Commercial Washer Dimensions



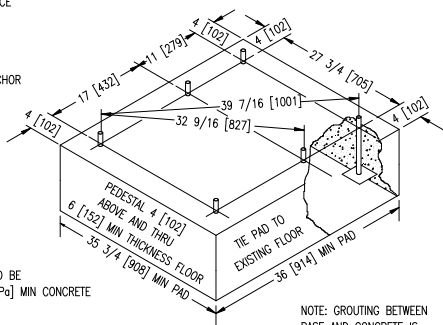
FLOOR OUTLINE
Figure 1-2

3/4" X 8" GD. 8 BOLTS HEADED BY 4" SQ. FISH PLATE OR EQUIV. (2 1/2" BOLT PROTRUSION)

[ANCHORS: 19mm X 200mm GRADE 8 BOLTS HEADED BY 102mm SQ. FISH PLATE OR EQUIV. (64mm BOLT PROTRUSION)]

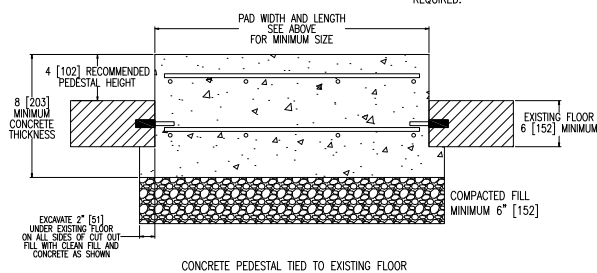
OR
"HILTI" ADHESIVE ANCHORING SYSTEM.
HILTI "HAS" SUPER RODS 3/4 X 10 AND ADHESIVE CAPSULES
FOR MORE INFORMATION CALL
HILTI CUSTOMER SERVICE
1-800-879-8000

OR
EQUIVALENT EPOXY OR
ACRYLIC ADHESIVE ANCHOR



PEDESTAL SHOULD BE 4,000 PSI [28 MPa] MIN CONCRETE REINFORCED WITH MESH OR RODS.

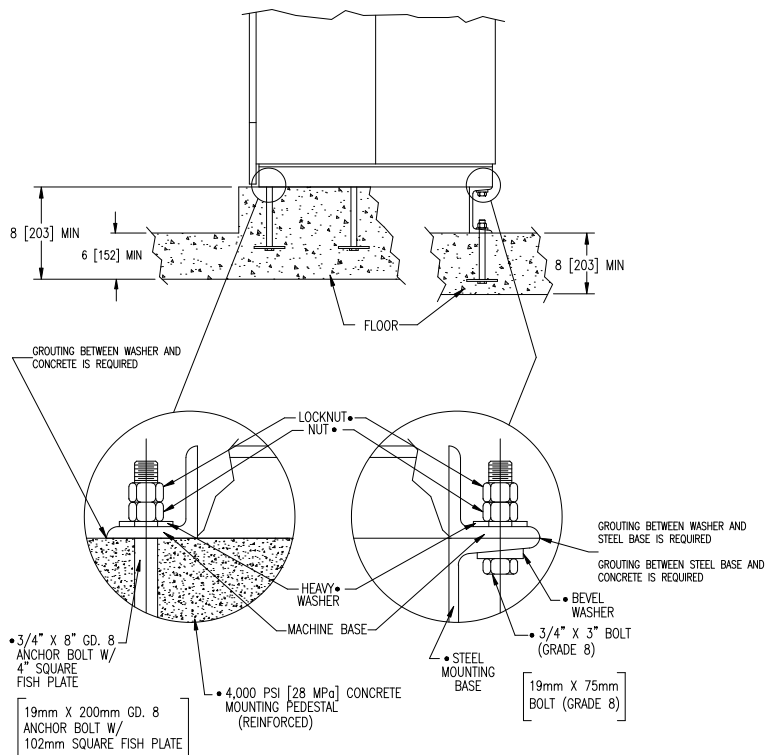
NOTE: GROUTING BETWEEN BASE AND CONCRETE IS REQUIRED.



RAISED CONCRETE PEDESTAL MOUNTING OPTION

Figure 1-1

SIDE VIEW



• 3/4" X 8" GD. 8 ANCHOR BOLT W/ 4" SQUARE FISH PLATE
• 19mm X 200mm GD. 8 ANCHOR BOLT W/ 102mm SQUARE FISH PLATE

• 4,000 PSI [28 MPa] CONCRETE MOUNTING PEDESTAL (REINFORCED)

[19mm X 75mm BOLT (GRADE 8)]

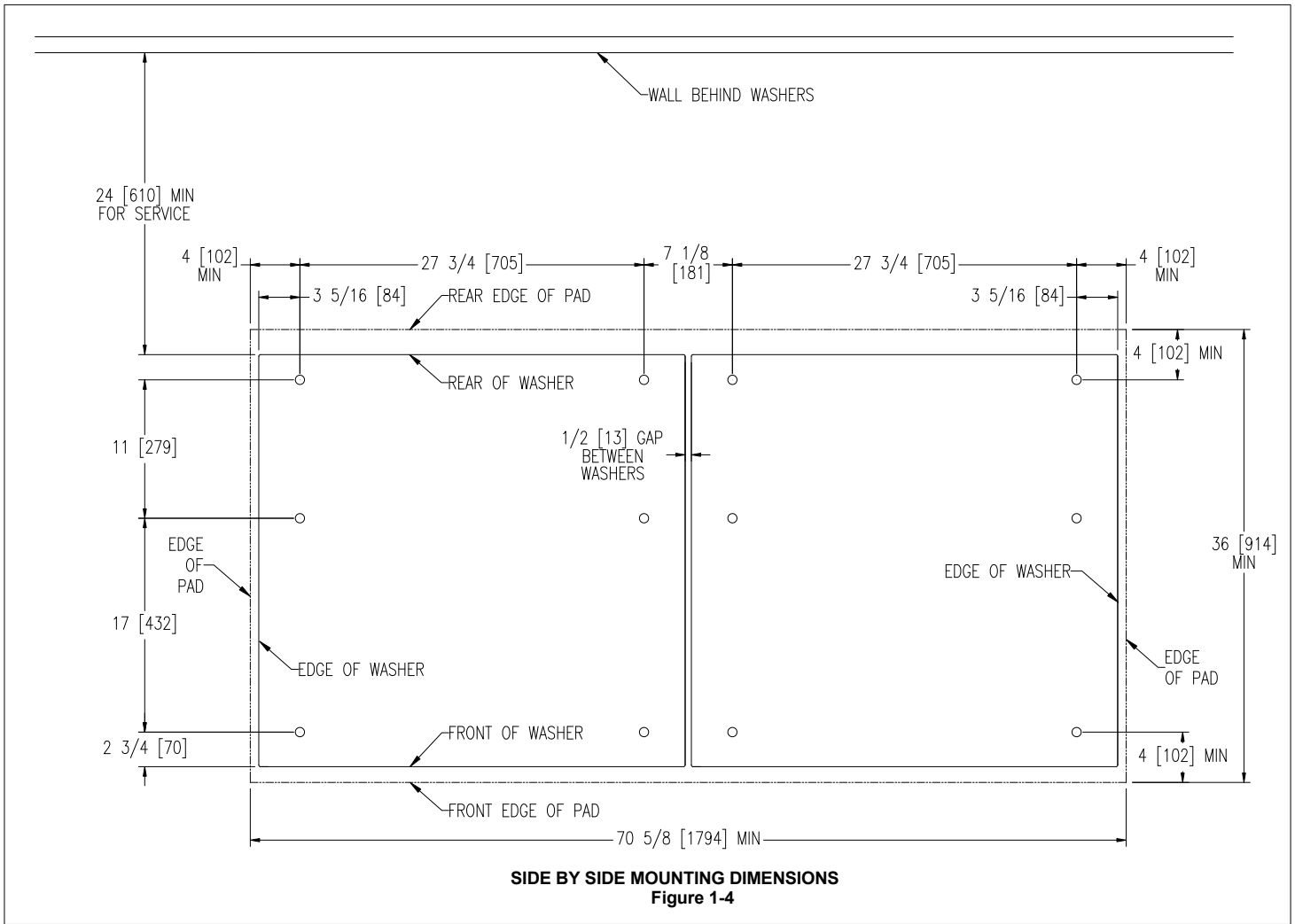
OR
• HILTI 3/4 X 10 HAS SUPER RODS WITH ADHESIVE CAPSULES

• NOT FURNISHED WITH MACHINE

MACHINE MOUNTING DETAIL

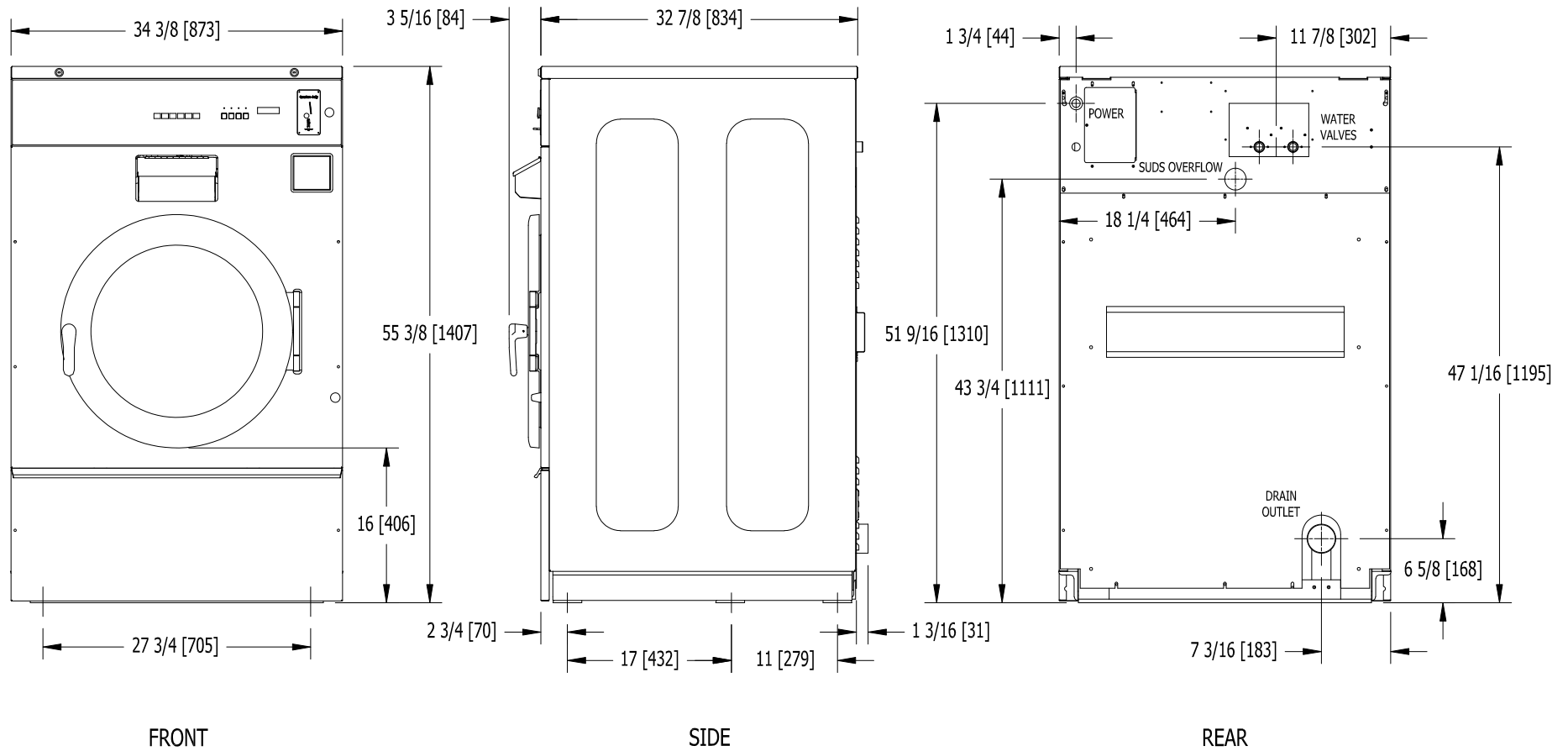
Figure 1-3

2.7.19 T-750 Machine Mounting Detail

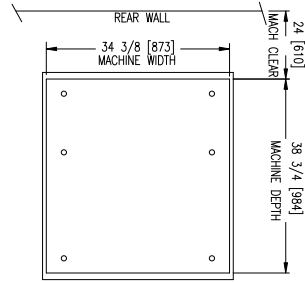
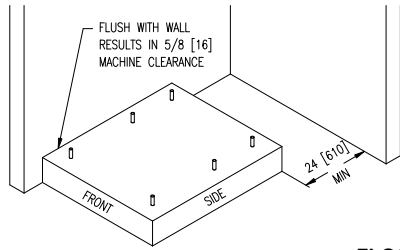


2.7.20 T-750 Machine Side By Side Mounting Detail

T-750 COMMERCIAL WASHER MOUNTING DIMENSIONS



2.7.21 T-750 Commercial Washer Dimensions



FLOOR OUTLINE
Figure 1-2

3/4" X 8" GD. 8 BOLTS HEADED BY 4" SQ. FISH PLATE OR EQUIV. (2 1/2" BOLT PROTRUSION)

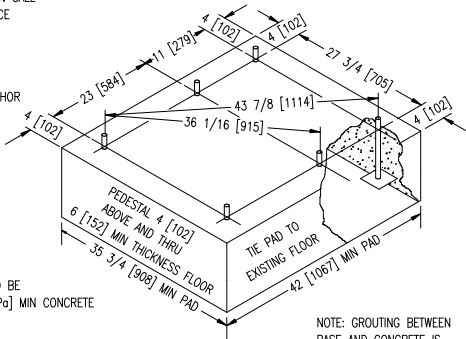
ANCHORS: 19mm X 200mm GRADE 8 BOLTS HEADED BY 102mm SQ. FISH PLATE OR EQUIV. (64mm BOLT PROTRUSION)

OR

'HILTI' ADHESIVE ANCHORING SYSTEM.
HILTI 'HAS' SUPER RODS 3/4 X 10 AND ADHESIVE CAPSULES
FOR MORE INFORMATION CALL
HILTI CUSTOMER SERVICE
1-800-879-8000

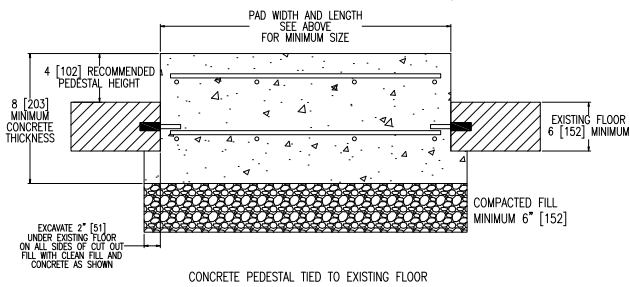
OR

EQUIVALENT EPOXY OR
ACRYLIC ADHESIVE ANCHOR

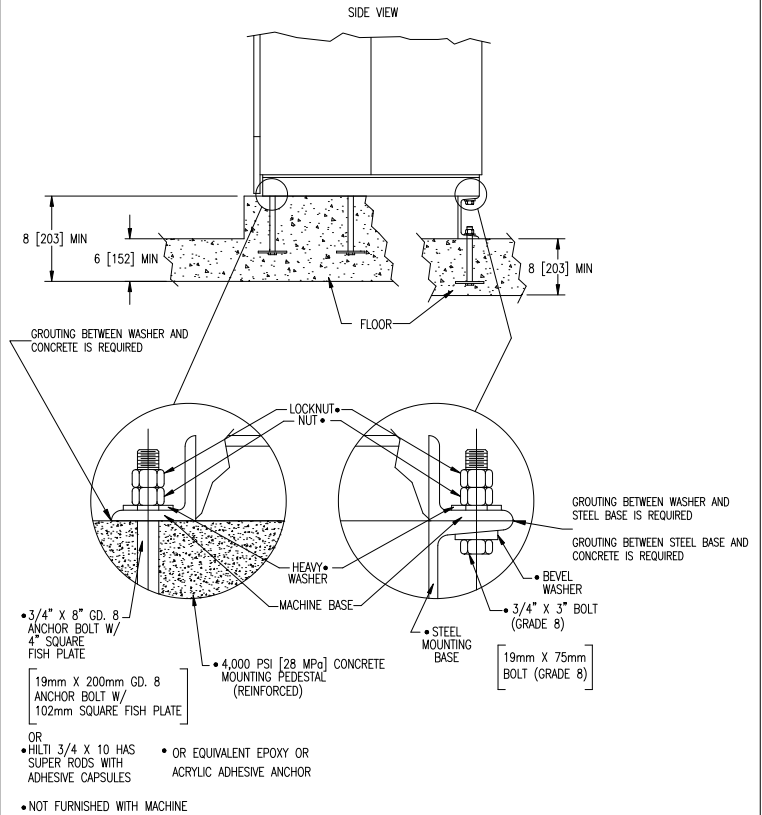


PEDESTAL SHOULD BE 4,000 PSI [28 MPa] MIN CONCRETE REINFORCED WITH MESH OR RODS.

NOTE: GROUTING BETWEEN BASE AND CONCRETE IS REQUIRED.



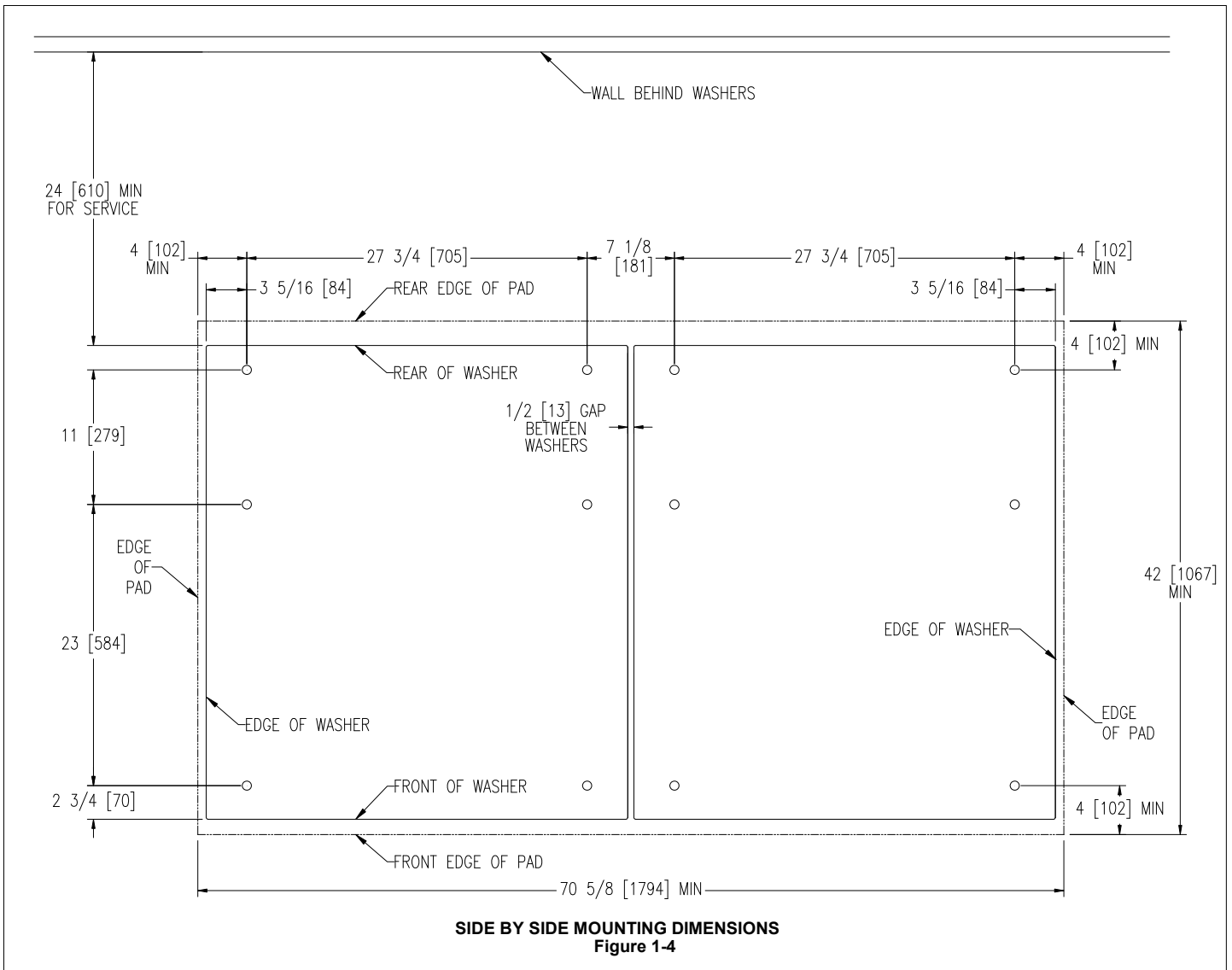
RAISED CONCRETE PEDESTAL MOUNTING OPTION
Figure 1-1



OR
• HILTI 3/4 X 10 HAS SUPER RODS WITH ADHESIVE CAPSULES
• OR EQUIVALENT EPOXY OR ACRYLIC ADHESIVE ANCHOR
• NOT FURNISHED WITH MACHINE

MACHINE MOUNTING DETAIL
Figure 1-3

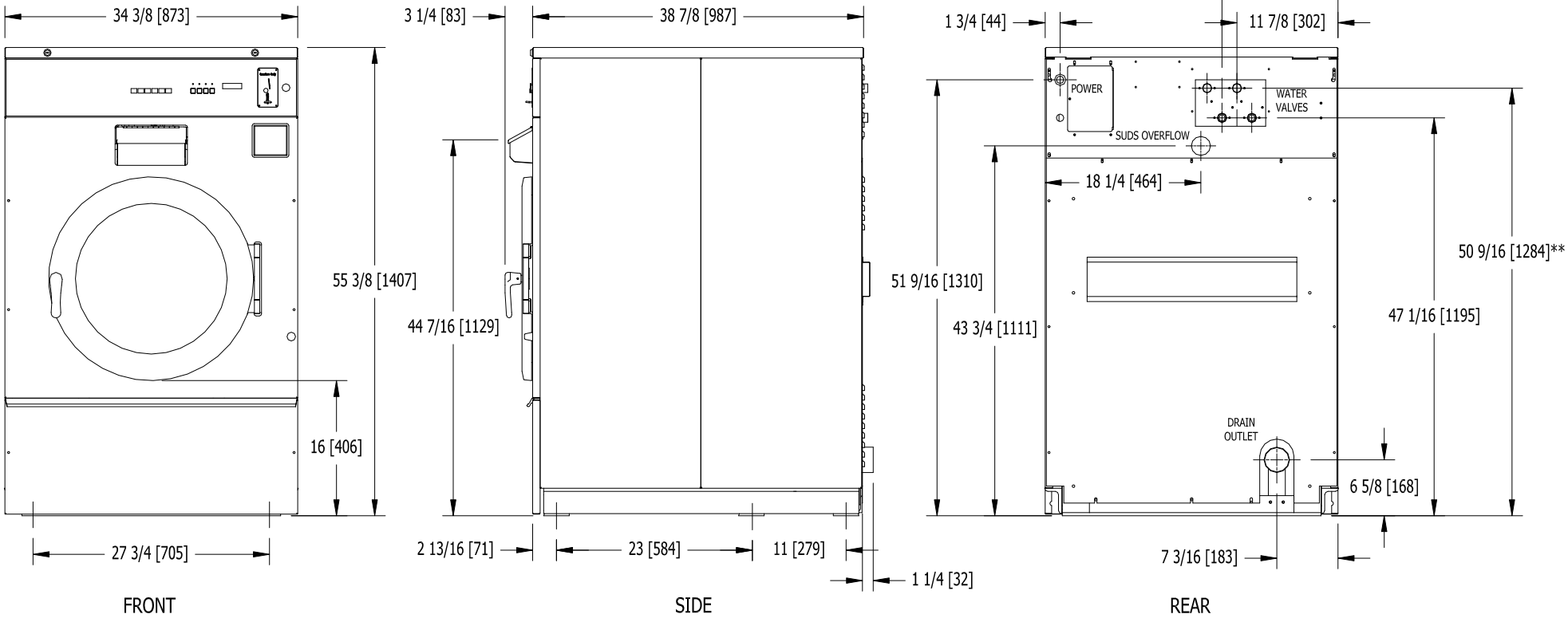
2.7.22 T-900/950 Machine Mounting Detail



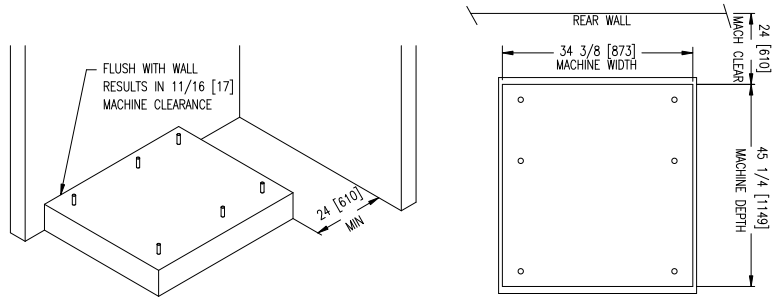
2.7.23 T-900/950 Machine Side By Side Mounting Detail

T-900 / 950 COMMERCIAL WASHER MOUNTING DIMENSIONS

**TOP WATER VALVES ONLY ON T-950



2.7.24 T-900/950 Commercial Washer Dimensions

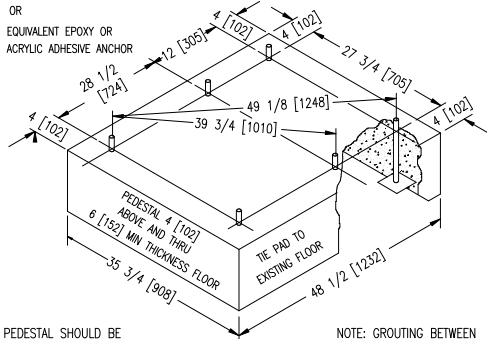


FLOOR OUTLINE
Figure 1-2

3/4" X 8" GD. 8 BOLTS HEADED BY 4" SQ. FISH PLATE OR EQUIV. (2 1/2" BOLT PROTRUSION)

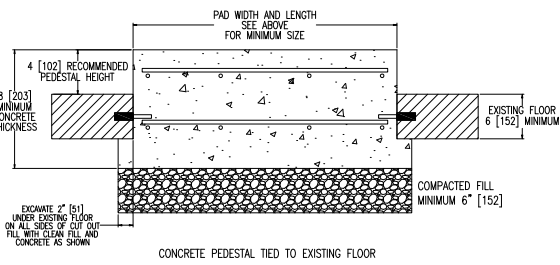
ANCHORS: 19mm X 200mm GRADE 8 BOLTS HEADED BY 102mm SQ. FISH PLATE OR EQUIV. (64mm BOLT PROTRUSION)

OR
'HILTI' ADHESIVE ANCHORING SYSTEM.
HILTI 'HAS' SUPER RODS 3/4 X 10 AND ADHESIVE CAPSULES
FOR MORE INFORMATION CALL
HILTI CUSTOMER SERVICE
1-800-879-8000

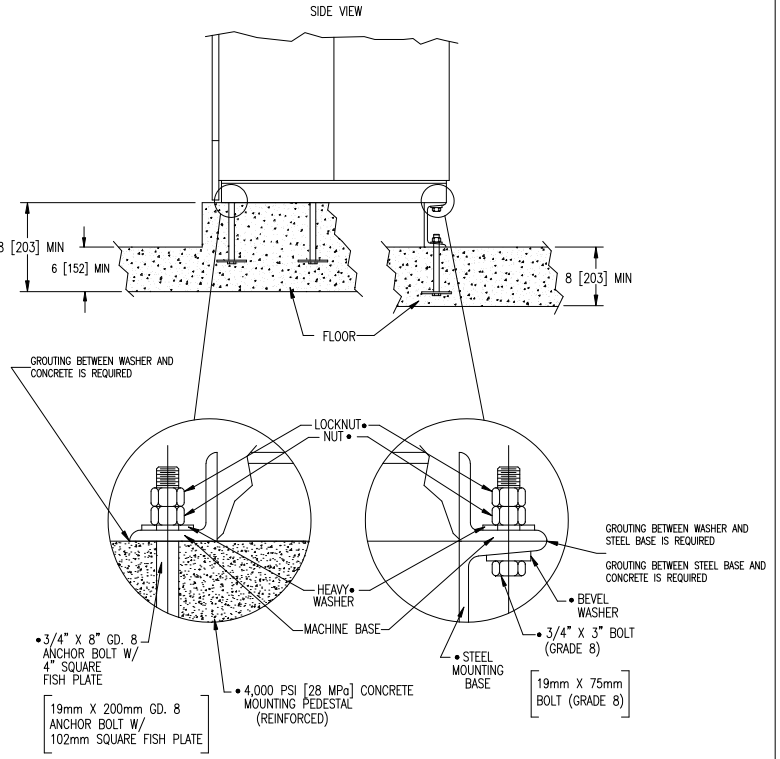


PEDESTAL SHOULD BE 4,000 PSI [28 MPa] MIN CONCRETE REINFORCED WITH MESH OR RODS.

NOTE: GROUTING BETWEEN BASE AND CONCRETE IS REQUIRED.



RAISED CONCRETE PEDESTAL MOUNTING OPTION
Figure 1-1



• 3/4" X 8" GD. 8 ANCHOR BOLT W/ 4" SQUARE FISH PLATE

• 19mm X 200mm GD. 8 ANCHOR BOLT W/ 102mm SQUARE FISH PLATE

• 4,000 PSI [28 MPa] CONCRETE MOUNTING PEDESTAL (REINFORCED)

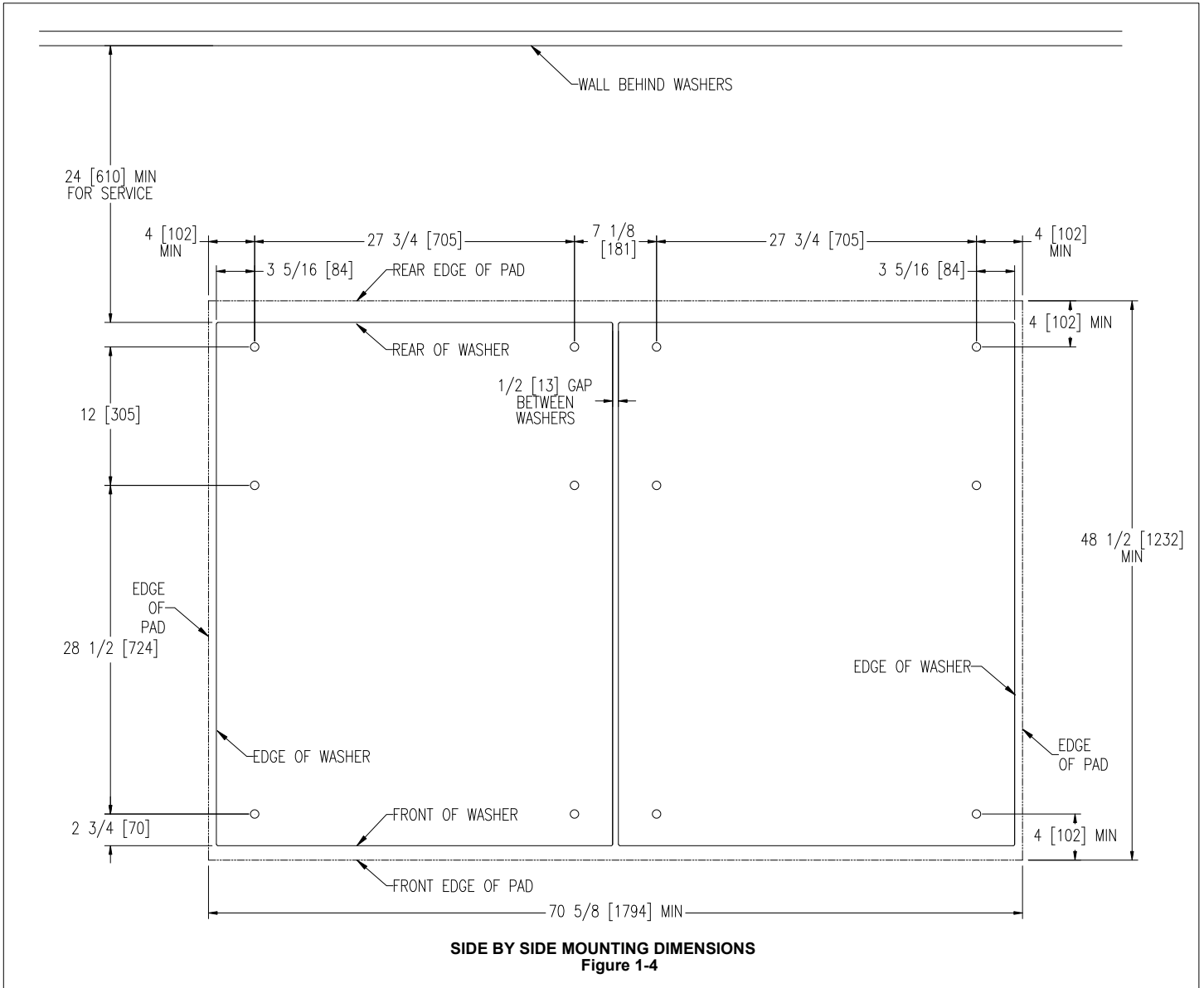
• 3/4" X 3" BOLT (GRADE 8)

OR
• HILTI 3/4 X 10 HAS SUPER RODS WITH ADHESIVE CAPSULES
• NOT FURNISHED WITH MACHINE

• OR EQUIVALENT EPOXY OR ACRYLIC ADHESIVE ANCHOR

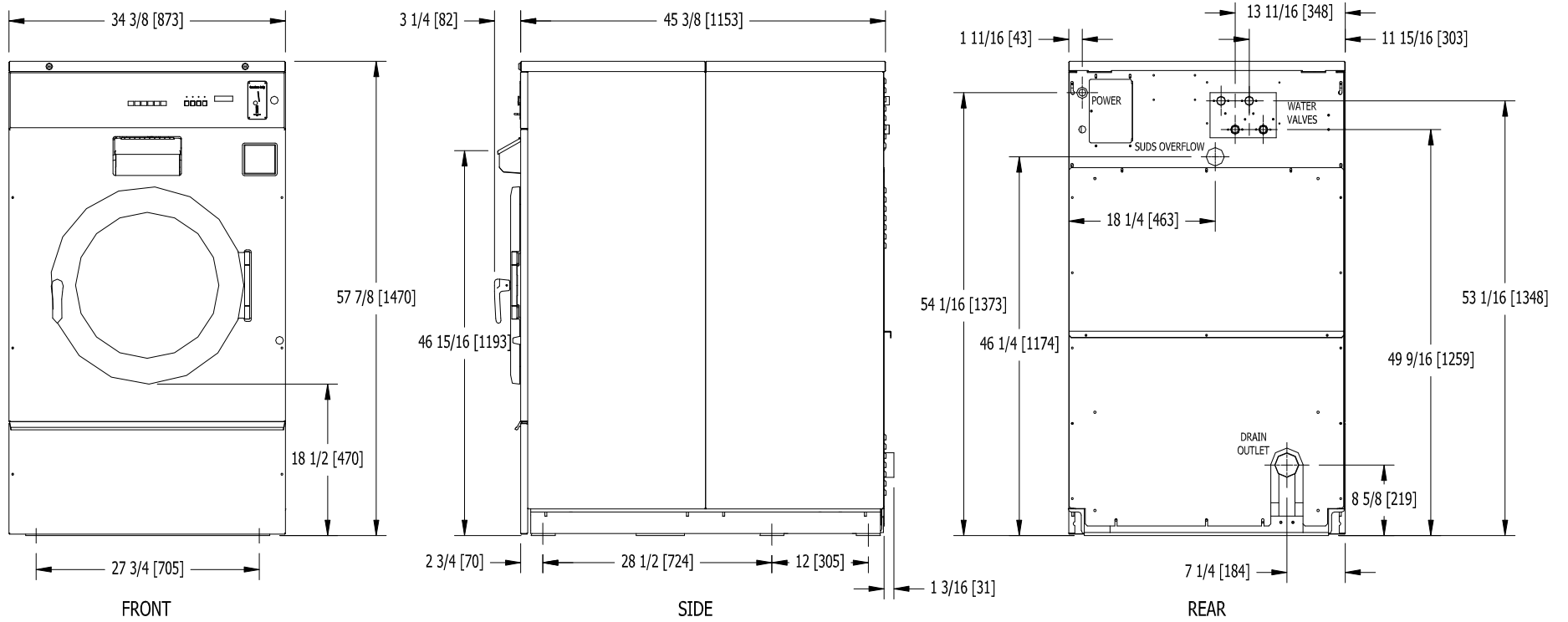
MACHINE MOUNTING DETAIL
Figure 1-3

2.7.25 T-1200 Machine Mounting Detail

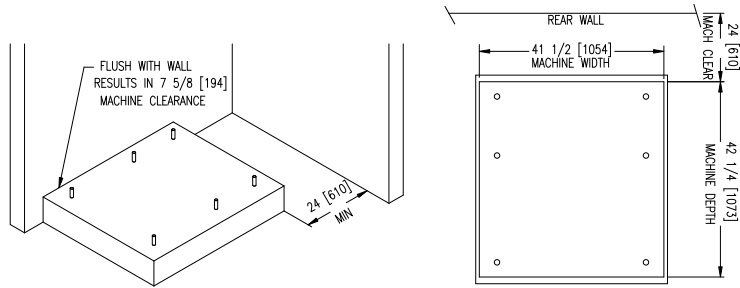


2.7.26 T-1200 Machine Side By Side Mounting Detail

T-1200 COMMERCIAL WASHER MOUNTING DIMENSIONS



2.7.27 T-1200 Commercial Washer Dimensions



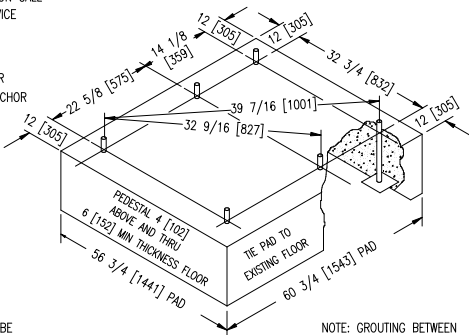
FLOOR OUTLINE
Figure 1-2

3/4" X 8" GD. 8 BOLTS HEADED BY 4" SQ. FISH PLATE OR EQUIV. (2 1/2" BOLT PROTRUSION)

ANCHORS: 19mm X 200mm GRADE 8 BOLTS HEADED BY 102mm SQ. FISH PLATE OR EQUIV. (64mm BOLT PROTRUSION)

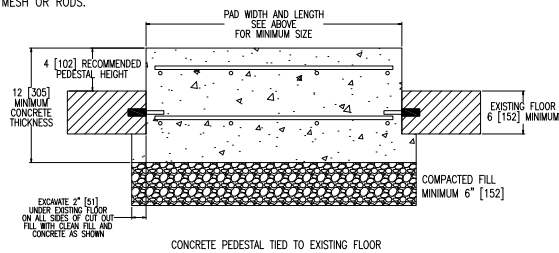
OR
"HILTI" ADHESIVE ANCHORING SYSTEM.
HILTI "HAS" SUPER RODS 3/4 X 10 AND ADHESIVE CAPSULES
FOR MORE INFORMATION CALL
HILTI CUSTOMER SERVICE
1-800-879-8000

OR
EQUIVALENT EPOXY OR
ACRYLIC ADHESIVE ANCHOR

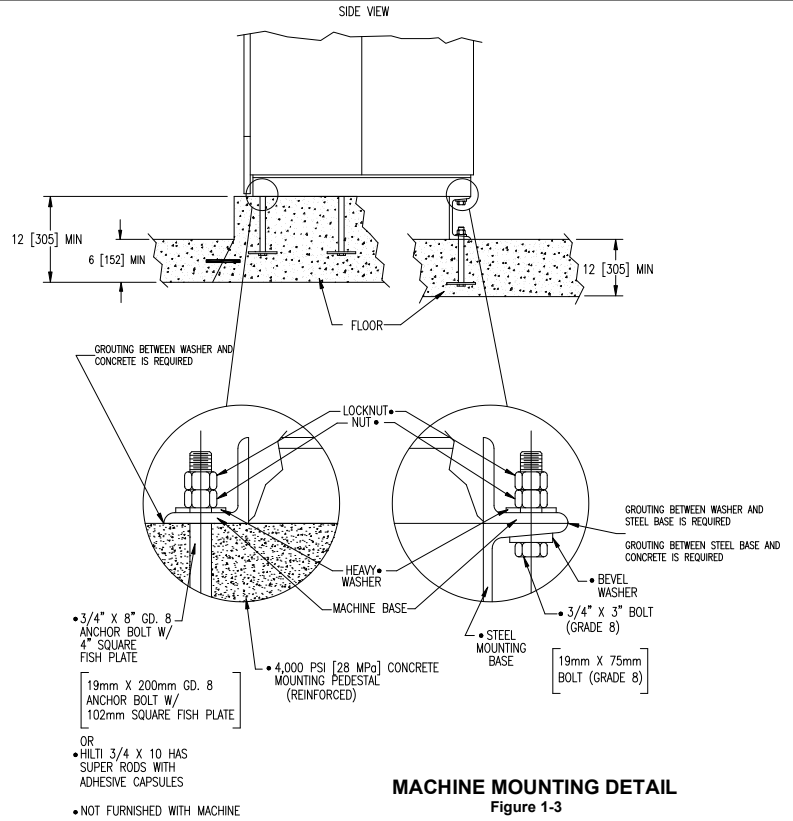


PEDESTAL SHOULD BE 4,000 PSI [28 MPa] MIN CONCRETE REINFORCED WITH MESH OR RODS.

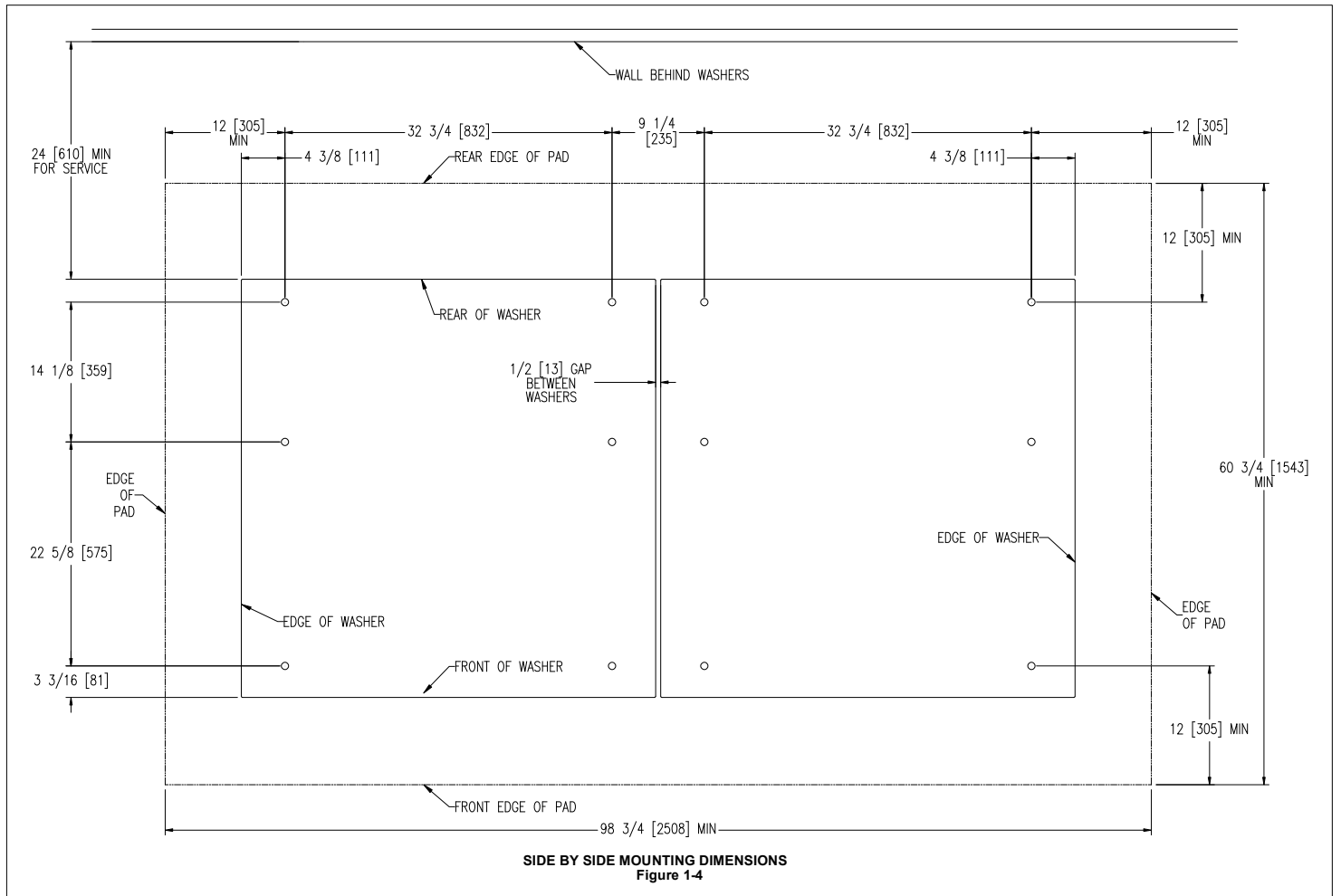
NOTE: GROUTING BETWEEN BASE AND CONCRETE IS REQUIRED.



RAISED CONCRETE PEDESTAL MOUNTING OPTION
Figure 1-1

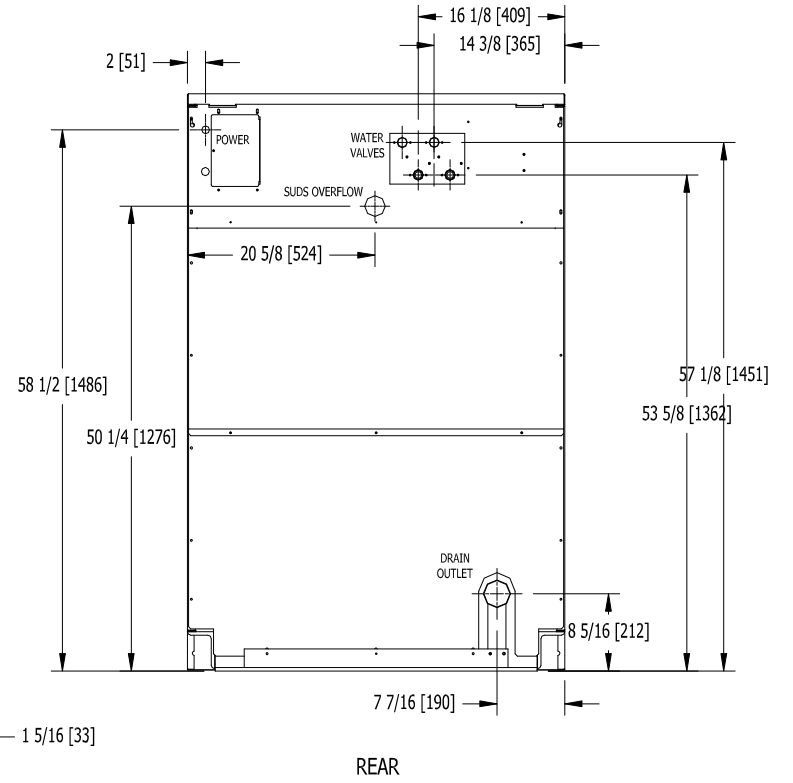
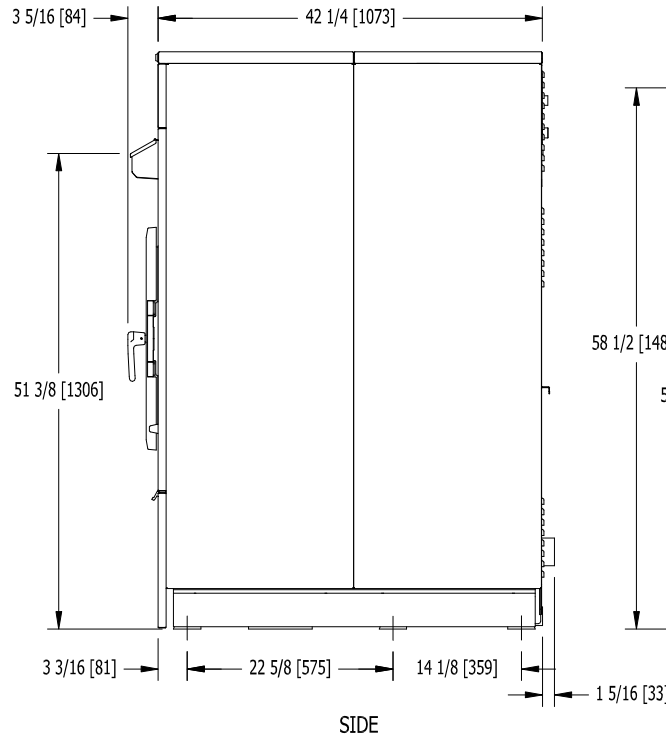
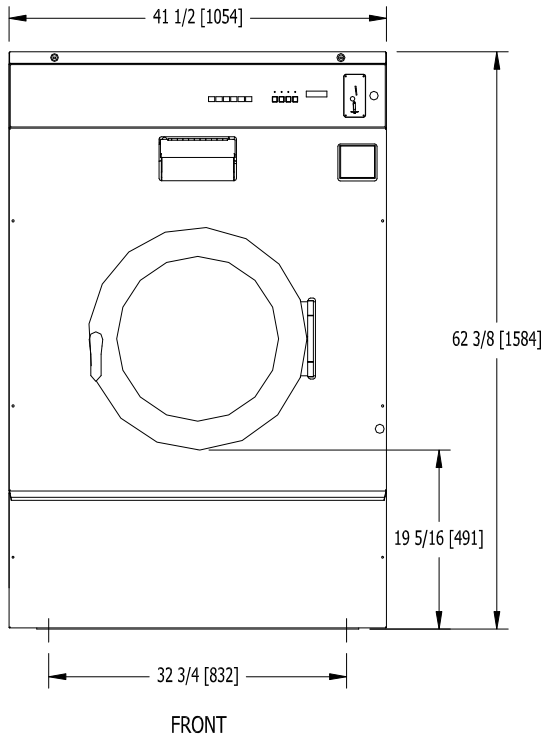


2.7.28 T-1450 Machine Mounting Detail

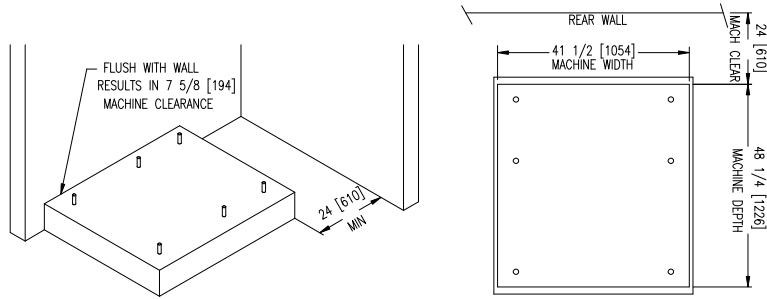


2.7.29 T-1450 Machine Side By Side Mounting Detail

T-1450 COMMERCIAL WASHER
MOUNTING DIMENSIONS



2.7.30 T-1450 Commercial Washer Dimensions



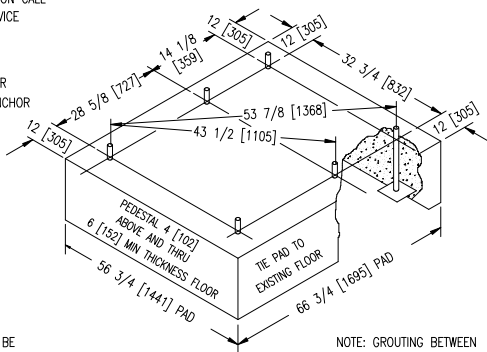
FLOOR OUTLINE
Figure 1-2

3/4" X 8" GD. 8 BOLTS HEADED BY 4" SQ. FISH PLATE OR EQUIV. (2 1/2" BOLT PROTRUSION)

ANCHORS: 19mm X 200mm GRADE 8 BOLTS HEADED BY 102mm SQ. FISH PLATE OR EQUIV. (64mm BOLT PROTRUSION)

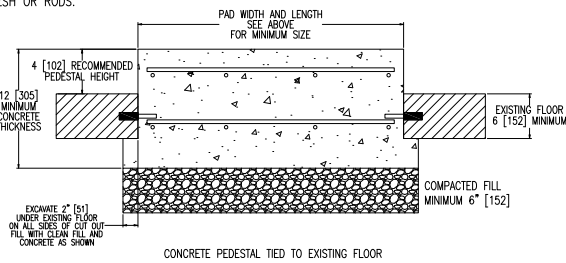
OR
"HILTI" ADHESIVE ANCHORING SYSTEM.
HILTI "HAS" SUPER RODS 3/4 X 10 AND ADHESIVE CAPSULES
FOR MORE INFORMATION CALL
HILTI CUSTOMER SERVICE
1-800-879-8000

OR
EQUIVALENT EPOXY OR
ACRYLIC ADHESIVE ANCHOR

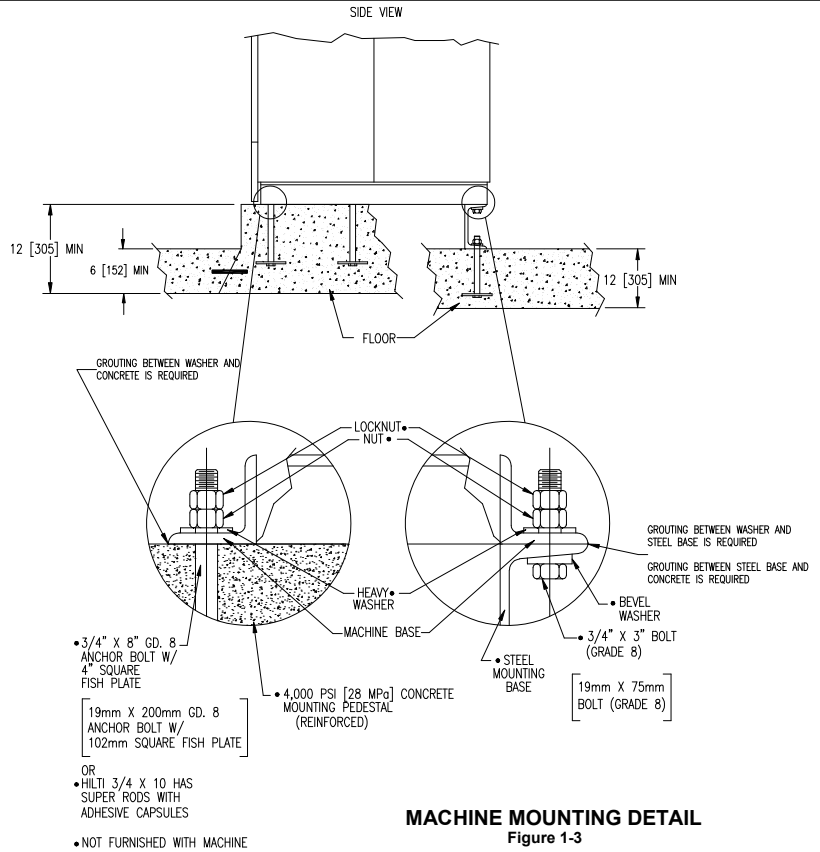


PEDESTAL SHOULD BE 4,000 PSI [28 MPa] MIN CONCRETE REINFORCED WITH MESH OR RODS.

NOTE: GROUTING BETWEEN BASE AND CONCRETE IS REQUIRED.

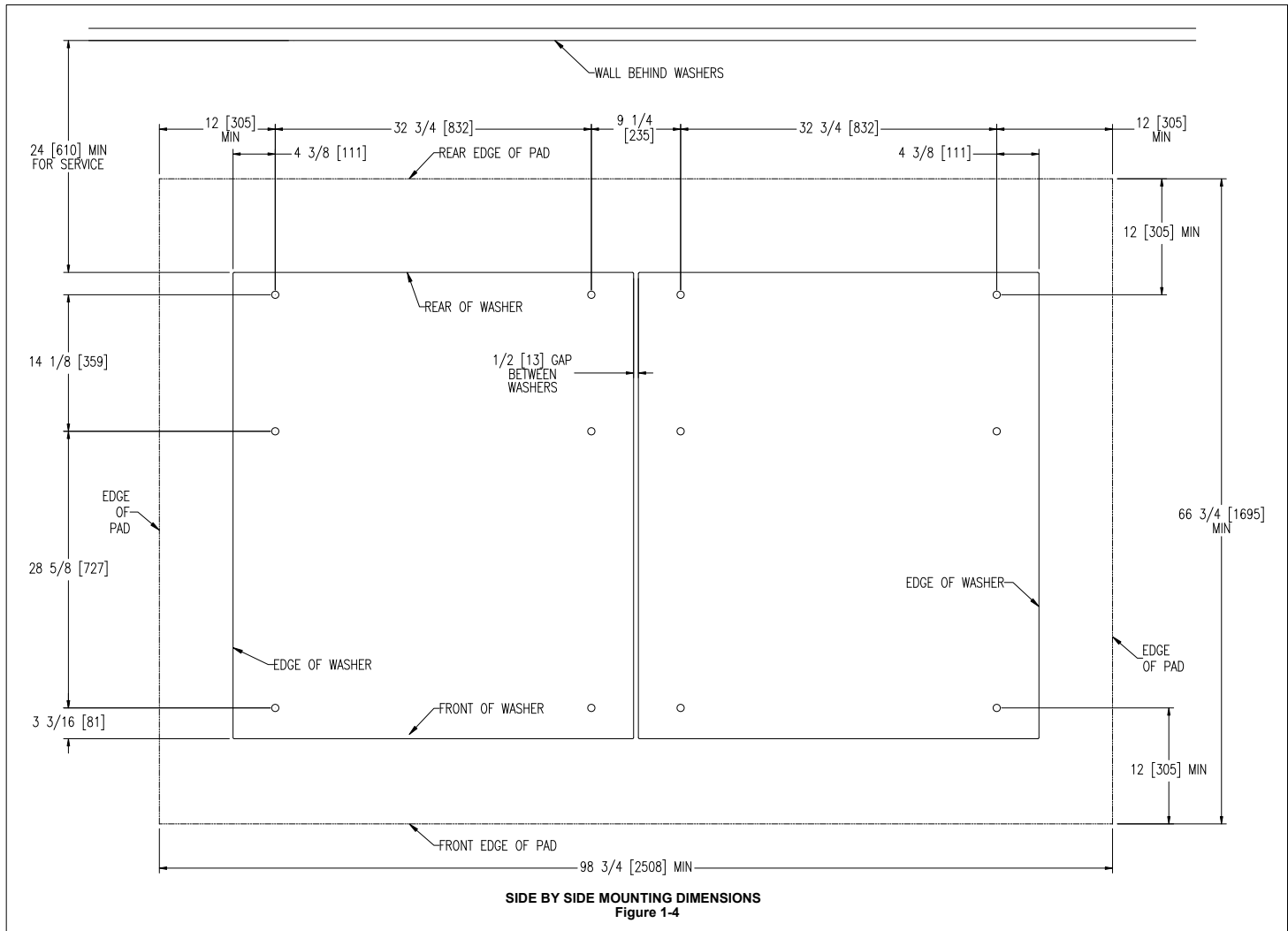


RAISED CONCRETE PEDESTAL MOUNTING OPTION
Figure 1-1



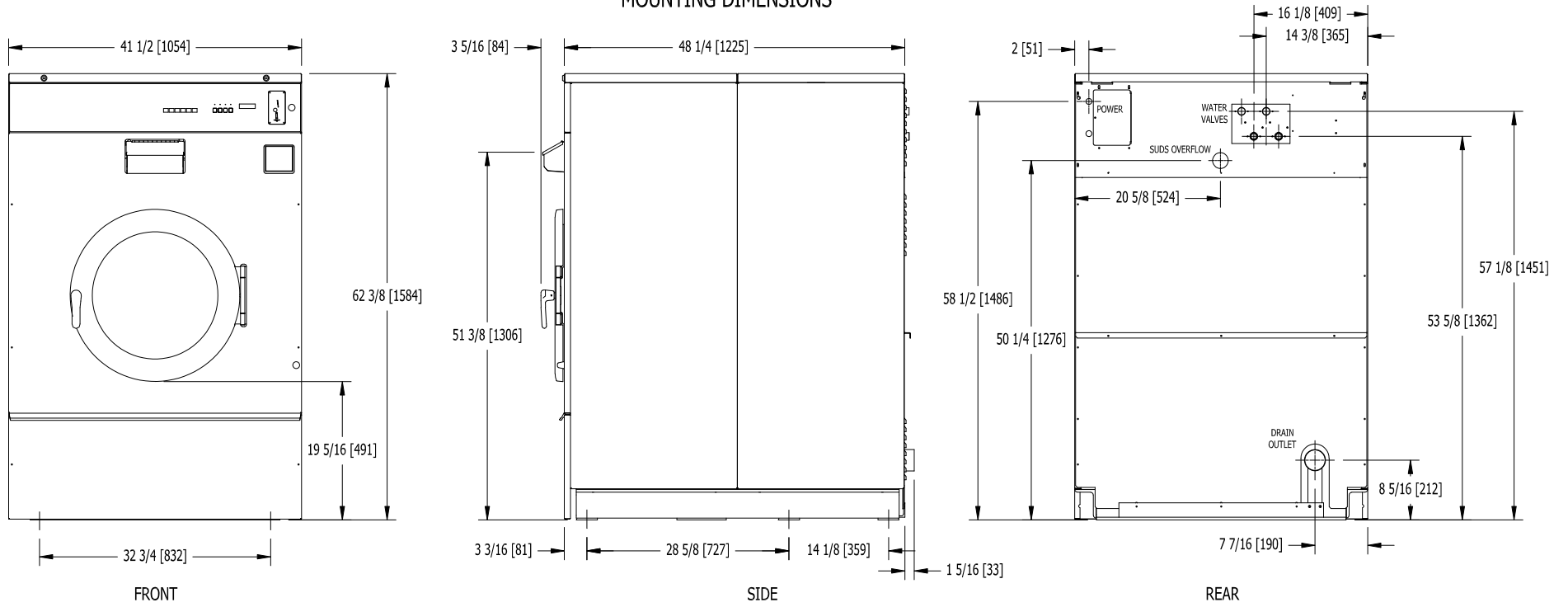
MACHINE MOUNTING DETAIL
Figure 1-3

2.7.31 T-1800 Machine Mounting Detail



2.7.32 T-1800 Machine Side By Side Mounting Detail

T-1800 COMMERCIAL WASHER
MOUNTING DIMENSIONS



2.7.33 T-1800 Commercial Washer Dimensions

2.8 PLUMBING

Water supply hoses are provided with each machine. The threaded connections on the hoses are $\frac{3}{4}$ -11 $\frac{1}{2}$ NHT for 60 Hz models and $\frac{3}{4}$ -14 BSP for 50 Hz models.

Separate hot and cold water lines must be supplied to the machine, maintaining 30 psi to 120 psi (207 kPa to 827 kPa) water flow pressure. A 140°F (60°C) hot water supply is recommended for best washing results. Do not exceed 180°F (82°C) water temperature.

2.9 DRAIN

The drain outlet tube size:

For T-300 and 350 is 2 $\frac{1}{4}$ inches (57 mm) in diameter, and for all other models is 3 inches (76 mm) in diameter.

Any drain hose used must be lower than the drain valve to assure proper draining.

2.10 PROTECTIVE FILM

The machine may have protective adhesive film on the front control panel label area and on the front, top, and side stainless steel panels. The film may be peeled off before putting the machine into service.

2.11 ELECTRICAL

The Dexter washing machines are intended to be permanently installed appliances. No power cord is provided. The machine should be connected to an individual branch circuit not shared by lighting or other equipment. A means for disconnection with a contact separation of at least 1/8" (3 mm) must be provided. The connection should be sheathed in liquid-tight or approved flexible conduit, or equivalent, with conductors of the proper size and insulation (50 Hz: The sheath of the supply cord must be at least equivalent to that of a cord complying with IEC 227 or IEC 245). A qualified technician should make such connections in accordance with the wiring diagram. See specification sheet for minimum recommended wire size.

Individual circuit breakers for each unit are required. Do not use ground-fault (earth-fault) circuit breakers or ground-fault (earth-fault) circuit interrupter outlets.

WARNING:
SHUT OFF POWER AND WATER BEFORE OPENING ANY SERVICE PANELS.

POWER
CONNECTIONS

L1



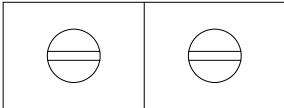
L2



L3



N



ELECTRICAL CONNECTIONS

2.11.1 INSTALLING THE ELECTRICAL CONNECTION

- 2.11.1.1 Disconnect all power to the washer.
- 2.11.1.2 Remove the top panel of the washer and locate the power terminal block near the back of the control compartment.
- 2.11.1.3 If power is 120V-1PH-60Hz, connect L1, N and Ground.
- 2.11.1.4 If power is 208-240V-**3PH**-60Hz, connect L1, L2, L3 and Ground. If there is a high leg, it must NOT be connected to L1 or L2. However, failure due to a voltage surge on the high leg is not covered by equipment warranty. Contact Dexter Laundry with any questions.
- 2.11.1.5 If power is 208-240V-**1PH**-60Hz, connect L1, L2 and Ground.
- 2.11.1.6 If power is 230V-**1PH**-50Hz, connect L1, N and Earth.

NOTE: It is important that the grounding screw next to the power terminal block be connected to a good external ground.

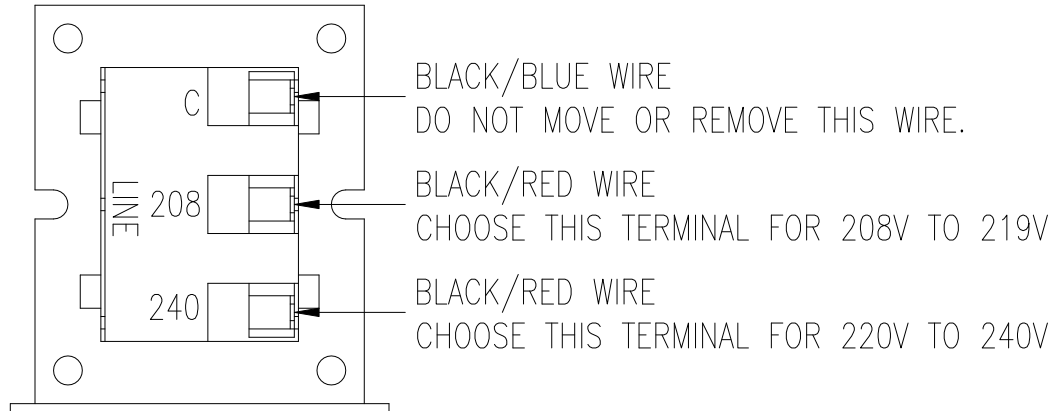
2.11.2 FUSING REQUIREMENTS

Single- and Three -phase models:

See specification sheet for required TIME-DELAY (DUAL ELEMENT) FUSE size (or equivalent circuit breaker)

2.11.3 CONTROLS TRANSFORMER (208-240V 60 Hz models only)

The controls transformer is located inside the control trough and steps a range of 208 to 240 volts down to 115 volts. There are two terminals on the controls transformer for the primary (incoming) power. Use the terminal marked "208V" for power supplies between 208 and 219 volts. Use the terminal marked "240V" for power supplies between 220 and 240 volts. Refer to the following for control transformer connections.

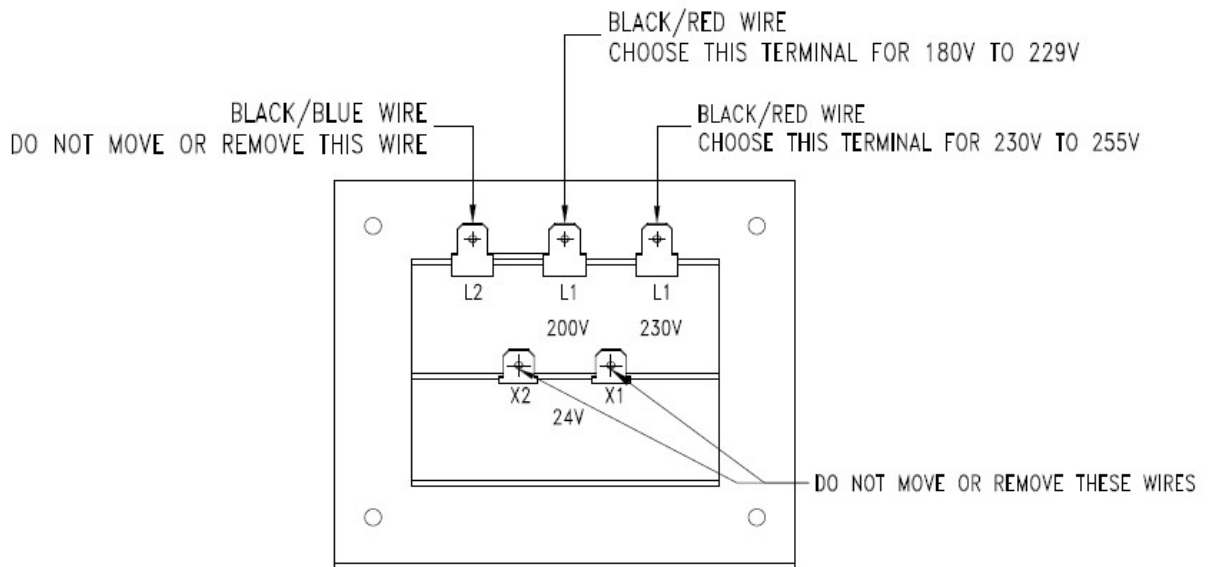


60 Hz Control Transformer Connections

2.11.4 CONTROLS TRANSFORMER (230V 50 Hz models only)

The controls transformer is located inside the control trough and steps a range of 180 to 255 volts down to 24 volts. There are two terminals on the controls transformer for the primary (incoming) power. Use the terminal marked "L1 200V" for power supplies between 180 and 229 volts. Use the terminal marked "L1 230V" for power supplies between 230 and 255 volts.

CONTROL TRANSFORMER CONNECTIONS

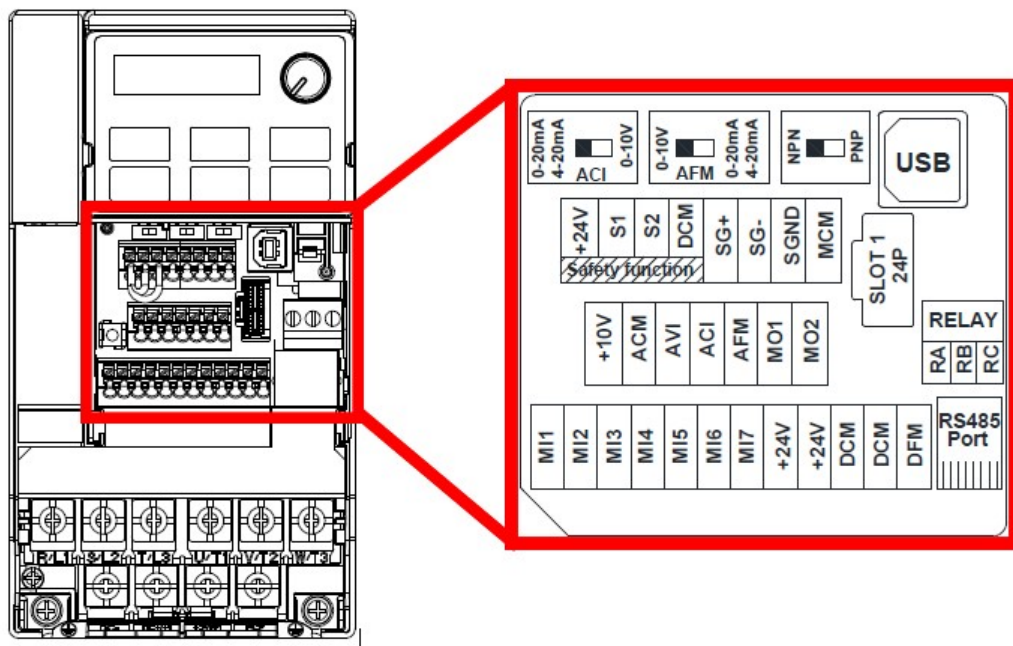


50 Hz Control Transformer Connections

2.11.5 VARIABLE FREQUENCY DRIVE ADJUSTMENTS (208-240V 60 Hz T-950 model only)

The variable frequency drive allows for varying acceleration during Final Spin on T-950 models. It is important to utilize a decreased acceleration rate when the application power is low. This acceleration rate is determined by a white wire jumper installed on the drive terminal block from +10V to AVI. Reference the diagram below for terminal block locations.

Remove the wire jumper when input power is between 208 and 219 volts. Keep the jumper installed when input power is between 220 and 240 volts. Reference the drawings below for the jumper location.



Control Terminations on Variable Frequency Drive

C Series Washer Model	Max Spin Speed	Input Voltage	Jumper Terminal Locations on Variable Frequency Drive (VFD)														
			MI1	MI2	MI3	MI4	MI5	MI6	DCM (Left)	DCM (Right)	24V	ACM	AVI	ACI	10V	M01	
T-950	200G	240V												X		X	
	200G	208V	No Jumper required														

2.12 OPERATION CHECK

After all mounting, plumbing and electrical work is completed, run the machine through a complete wash cycle. Check for water leaks and verify proper operation.

During intermediate spin and final spin, the cylinder should turn in a **counterclockwise** direction when viewed from the front of the machine.

If spin is clockwise, the T1 and T2 motor wires connecting to terminal T1 and T2 on the variable frequency drive should be swapped. Remove power to the machine before opening service panels and swapping wires.

3 OPERATING INSTRUCTIONS

3.1 STARTING THE WASHER

3.1.1 Turn on power to the washer.

3.1.2 Load the laundry.

Place laundry into the cylinder and latch the door securely. Be sure laundry does not get caught between the door gasket and tub front when closing the door. Maximum load is the dry weight capacity listed in the specification sheet. Do not exceed the listed capacity weight.

NOTE: To begin closing the door, the handle must be in the horizontal position. After moving the door to the closed position, the handle must be turned down to the vertical position in order to latch the door for machine operation.

3.1.3 Select cycle temperature.

Select the appropriate cycle for the type of load being washed. Use the "UP" and "DOWN" keys to change the cycle on the display to the desired cycle and press the enter button to select.

3.1.4 Add washing chemicals.

Add low sudsing powdered detergent into the "DETERGENT" compartment of the automatic dispenser on the top or front of the washer.

If liquid wash products are used in the "DETERGENT" compartment, they must be added at the beginning of the wash cycle.

If desired, add fabric softener to the "FABRIC SOFTENER" compartment. Use the amount of fabric softener as recommended by the manufacturer.

If the machine is set for pre-wash, washing products can be added to the round opening of the dispenser or put in with the clothes when loading the washing machine.

If bleach is desired, DO NOT place into dispenser until the ADD BLEACH message is displayed.

3.1.5 Start wash cycle.

Insert coins, tokens or debit card to meet the displayed vend price. The display will count down the amount needed to meet the vend price. Once the vend price is met, the display will read "PRESS START" and the start button LED will blink. If the door is not closed and latched, the display will read "CLOSE DOOR" and the control will wait until the door is latched to continue. Pressing the start button will begin the cycle and activate the ON light. The display will show the remaining cycle time in minutes. The clothes door will lock and remain locked until the end of the cycle.

3.2 END OF CYCLE

When the cycle is complete a 3-second tone will sound and the display will read "CYCLE DONE THANK YOU" until the door is opened. The door can now be opened. Leave the clothes door open when the machine is not in use.

3.3 EMERGENCY STOP / SAFETY DOOR LOCK

This machine is equipped with a Safety Door Lock that locks the door closed from when the cycle is started until the cycle is complete. The door lock prevents opening the door for up to 3 minutes if the power is interrupted during the cycle.

The Emergency Stop button pauses the washer and allows the door to be opened during the cycle after the Safety Door Lock releases. When the Emergency Stop button is pressed an alarm will sound and the display will begin counting down and read "STOP 3", "STOP 2", "STOP 1". If the button is released before 3 seconds elapse, the alarm will stop and the cycle will continue normally. If the Emergency Stop is held down for 3 seconds, the display will count down and the washer will begin stopping movement and water flow and begin draining water from inside the washer. Though the machine may stop wash movement quickly, it may take up to 3 minutes for the door to unlock. During that time the alarm will continue to sound and the display will read "STOPPING". When the alarm stops, the door may be opened. The washer may be restarted by closing and latching the door, and pressing the Start button. If the washer was stopped more than once before the final extract, the cycle will be cancelled. If the washer was stopped during final extract, the cycle will be ended. If the washer is stopped for more than 1 hour, the cycle will be terminated.

3.4 VARIABLE FREQUENCY DRIVE INDICATORS

There are three small colored LEDs located on the upper region of the Variable Frequency Drive (VFD). They are labeled as "READY", "RUN", and "FAULT" and can be used for troubleshooting. The definitions of the LEDs are listed in Table 1 below.



LED Status	Washer Condition
Steady Yellow	Tumbling
Blinking Yellow	Stop from Tumble
Steady Yellow	Ramp to Intermediate or Final Extract Spin
Steady Yellow	Spinning (Intermediate or Final)
Blinking Yellow	Stop from Spin (Intermediate or Final)
Steady Green	Idle Mode (No Cylinder Movement)
Steady Red	VFD fault
Blinking Red	VFD warning

Table 1: Variable Frequency Drive Indicators

4 MACHINE PROGRAMMING INSTRUCTIONS

The washer control can be programmed to prompt the user for alternate vend prices, change washer cycle times, temperatures and many other options. This can be accomplished in two ways:

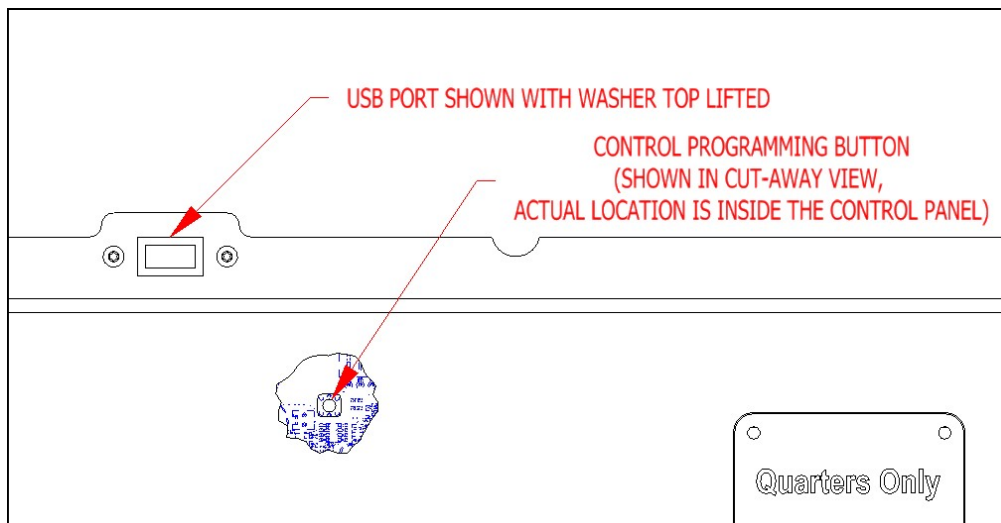
1. Manual programming utilizing the "Start", "Hot", "Warm" and "Cold" buttons
2. USB download of a customizable User File. For instructions on using the USB download feature, please contact your local Dexter distributor or visit dexterlive.com.

4.1 MANUAL PROGRAMMING:

The washer must be in idle mode for the manual programming menus to be accessed. Idle mode is when the washer is not actively running a wash cycle and the vend price is displayed on the screen.

To enter the manual programming mode, the top of the washer must be unlocked and lifted slightly (it may be necessary to remove the screws for the soap box). The programming button is then pressed for 1 second. The control should display "PROGRAMMING".

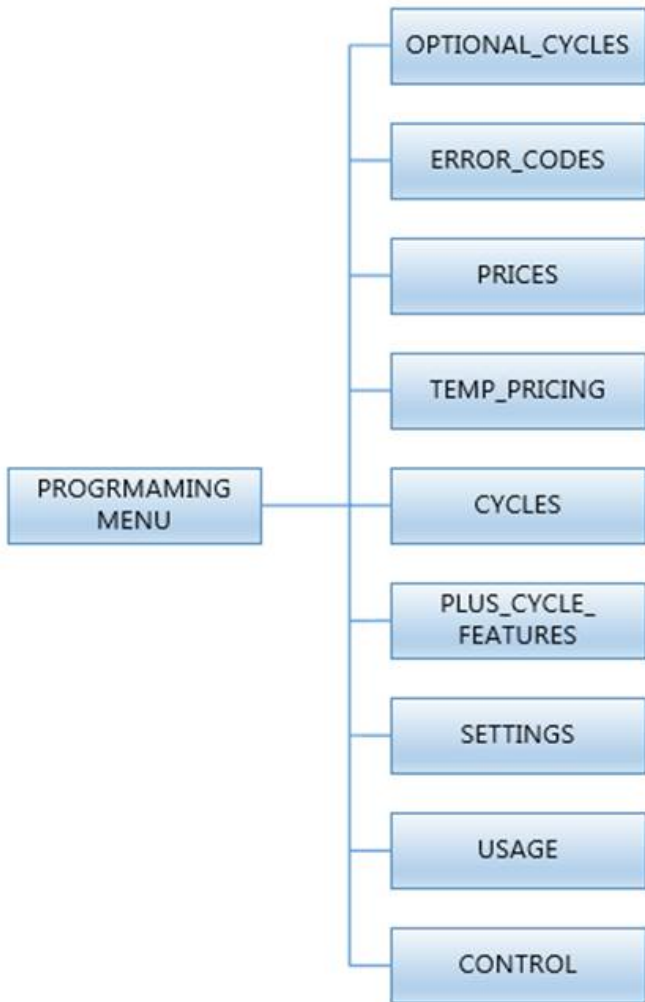
See the figure below for the location of the programming button in relation to the USB port (The USB port is exposed when the washer top is lifted).



When manual programming mode is entered, the "Start", "Hot", "Warm" and "Cold" buttons perform alternate functions.

Button Name	Alternate Function in Programming Mode
Start	Becomes the action to accept the displayed option or the "Enter" key
Hot	Becomes the action to move UP through displayed options (Press & hold for accelerated scrolling)
Warm	Becomes the action to move DOWN through displayed options (Press & hold for accelerated scrolling)
Cold	Becomes the action to move back a step (1 press) or EXIT from programming mode (press for 3 seconds)

These alternate functions allow the user to move through a menu of options to choose various programmable settings. The figure below shows the top level menu. Choosing an option from the top level menu will then display the next level of options (the sub menu).



4.2 Optional Cycles Option:

This option allows the user to select the different test and short-cycle options.

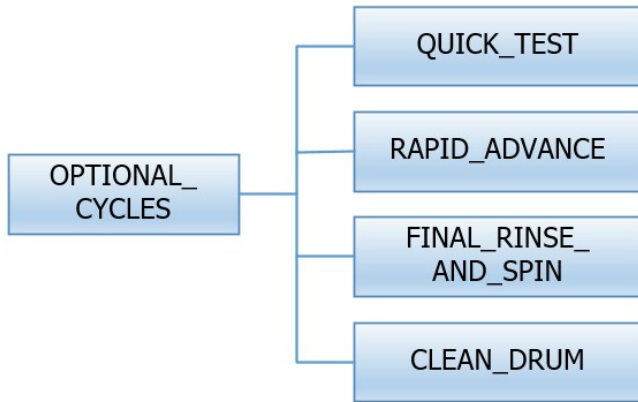
1. "Quick Test" will begin a shortened wash cycle without the displayed vend price being met. The purpose of this shortened cycle is to test all major components for proper operation.

Error Codes should all function normally during this test. The display will show customer prompts in a similar way to a normal wash cycle. Exceptions to this are that the "ADD BLEACH" prompt will not occur because of reduced cycle time. Final Extract speed is specific to the customer's programming.

2. "Rapid Advance" is similar to Quick Test, in that when this option is chosen, the washer will begin a wash cycle without the displayed vend price being met. However, in this case, it will be a normal default cycle with an additional feature available. The "Start" button LED will flash, prompting the user that, when pressed, the washer shall rapid advance to the next step in the cycle. The display will show "ADVANCE" when the cycle is advancing. The water level needs to be empty before this advance occurs. During the time waiting for the tub to empty, the "ADVANCE" prompt will be held on the display and the start pushbutton LED stops flashing. The Rapid Advance shall allow the tub to empty of water and the tub to stop before beginning either spin or the next bath.

The Rapid Advance mode can be exited by pressing the programming button. This will end the cycle. When the Rapid Advance mode is used, the cycle time will no longer be correct. By skipping steps with Rapid Advance, the door may not open immediately at the end of the cycle.

3. "Final Rinse and Spin" will begin only the Final Rinse Bath and Final Spin portions of the cycle without the displayed vend price being met. The configured temperature, cycle times, and spin speed for the Final Rinse Bath and Final Spin settings will be used when this option is selected. Error Codes should all function normally during this test.
4. "Clean Drum" will begin a shortened cycle without the displayed vend price being met. The cycle will be a 3-minute cycle (no spin). Hot water fill will be used and the detergent and softener compartments will both be flushed. Error Codes should all function normally during this cycle.



4.3 Error Code Historical Log:

The last fifteen occurring error codes will be stored in the control with a time and date stamp. The purpose of this option is only to observe the history of these code occurrences (no changes can be made).

The time is based off the Real Time Clock, but potentially shifted by the user's manual programming changes (Shift Hours option) and/or network time override. As additional error codes occur, the oldest of the fifteen logged codes is cleared from memory.

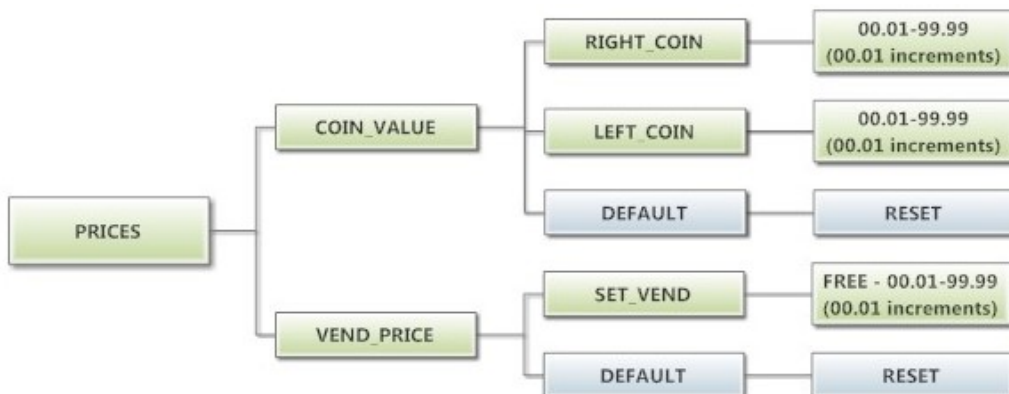
4.4 Prices Option:

This option allows the user to set values for coin acceptor inputs and to set the vend price. It also allows the user to return the values to factory defaults. After changing prices using the "Up" or "Down" buttons, the "Enter" button must be pressed again for the control to store the changes that have been made.

1. "RIGHT COIN" and "LEFT COIN" are the two possible inputs from coin acceptors.
2. "SET VEND" is the actual Base Vend Price (or Vend Price A) that is shown on the control display.

To reset either the coin acceptor inputs or the vend price to factory default, press "Enter" when the "DEFAULT" prompt is shown. Press "Enter" again when the "RESET" prompt is shown to confirm the action.

The figure below shows the sub menu options for Prices:



Temp Pricing Option:

The Temperature Pricing option allows for the user to prompt the customer for varying vend prices based on the water temperature the customer selects. If a value other than 0 is programmed for either the "WARM ADDER" or "HOT ADDER", the feature becomes active. The programmed value is added to the base vend price when that particular water temperature is chosen.

When the customer adds coins to meet the adjusted vend price and starts the washer, the temperature selections available to the customer are limited to those with vend prices equal to or less than the amount entered.

The figure below shows the sub menu options for Temp Pricing:



4.5 Cycles Option:

This option allows the user to set the bath time and spin time for the "Wash" bath. It also allows the user to set bath time, water temperature and spin time for "Rinse" and "Final rinse" baths. (Water temperature for the "Wash" bath is chosen by the customer using the "Hot", "Warm" and "Cold" buttons on the front of the machine). For the "Final Spin" it also allows the user to set the spin speed (see additional description below).

It also allows the user to return the values to factory defaults. To reset all values in the Cycles option to factory default, press "Enter" when the "DEFAULT" prompt is shown. Press "Enter" again when the "RESET" prompt is shown to confirm the action.

1. "Final Spin" is the spin that occurs after all selected baths & intermediate spins have been completed. It is a higher spin speed than previously occurring intermediate spins. The benefit of this higher spin speed is that more water is extracted from the wash load, which minimizes the drying time needed. However, in some cases, if the Dexter installation guidelines are not followed properly, it may be necessary to reduce the spin speed of the "Final Spin".

The "Final Spin" can be adjusted in increments of 10 G for washers with a 100G maximum spin speed and increments of 20 G for washers with a 200G maximum spin speed. The factory default "Final spin" speeds are the maximum values.

Model	Adjustable Final Spin Range
T-300	60G to 100G
T-350 or T-350 SWD	60G to 200G
T-400	60G to 100G
T-450 or T-450 SWD	60G to 200G
T-600	60G to 100G
T-650	60G to 200G
T-750 or T-750 SWD	60G to 200G
T-900	60G to 100G
T-950	60G to 200G
T-1200	60G to 100G
T-1450	60G to 200G
T-1800	60G to 100G

2. "Delay Fill" is meant to be used in applications where the amount of available water pressure is limited. In these cases, the washer may not be able to fill the tub in sufficient time to allow for effective washing performance.

When the "Delay Fill" option is "On", the water valves shall be turned on, the washer shall agitate, but the cycle time shall be paused. The washer shall continue in this state until the proper water level is reached. Once the proper water level is reached, the cycle shall continue. A single selection of "On" or "Off" shall apply to all baths in the cycle. The factory default setting is "Off".

3. "Delay Spin" is meant to be used in applications where the amount of drain capacity is limited. In these cases the washer cannot empty the tub in sufficient time to allow for a spin cycle to occur.

When a time value (other than 0) is programmed for the "Delay Spin" option, the end of each bath will be extended by the selected time. Therefore, extra time will be allowed for the drain valve to be open and compensate for slow drain capacity. The factory default setting is 0 seconds.

4. "Default Temp" allows the user to choose which water temperature ("Hot", "Warm", or "Cold") will be active during Idle mode. The customer can, of course, choose other temperatures for the wash bath based on other options described in this manual.

The figure below shows the sub menu options for Cycles:



4.6 Plus Cycle Options:

The "Plus Cycle" options allow for the user to prompt the customer for varying vend prices based on additional wash baths chosen. In general, the user can program the additional wash baths in a similar manner to what was described in the "Cycles" Options section.

It also allows the user to return the programmable values to the factory default setting. No plus cycle options are active using the factory default. To reset all values in the Plus Cycles option to factory default, press "Enter" when the "DEFAULT" prompt is shown. Press "Enter" again when the "RESET" prompt is shown to confirm the action.

1. "Pre-Wash"- If the user programs a "Cycle Time" for "Pre-Wash" other than 0 ("No Cycle"), the feature becomes active. However, the customer will not be prompted to pay an additional vend price for "Pre-Wash" unless the user programs the Price to a value other than 0 ("Free"). With the "Pre-Wash" feature active, an additional bath and, optionally, an additional spin, will occur before the standard Wash bath described in the Cycles Options section.

With the "Pre-Wash" feature active and a "Price" value programmed, the customer will be prompted to add additional coins if they wish to purchase the "Pre-Wash" feature. This will occur after they have entered coins to meet the Base Vend price. If the customer does not meet the vend price of the "Pre-Wash" feature, the prompt will time out and the "Pre-Wash" bath will not occur.

2. "Extend Wash"- If the user programs an "Extend Time" for "Extend Wash" other than 0, the feature becomes active. However, the customer will not be prompted to pay an additional vend price for "Extend Wash" unless the user programs the Price to a value other than 0 ("Free").

With the "Extend Wash" feature active, the standard Wash bath described in the Cycles section will be extended for the additional time selected. With the "Extend Wash" feature active and a "Price" value programmed, the customer will be prompted to add additional coins if they wish to purchase the "Extend Wash" feature. This will occur after they have pressed the "Start" button to begin the normal Wash cycle. If the customer does not meet the vend price of the "Extend Wash" feature, the prompt will time out and the additional time will not be added to the Wash bath.

3. "Extra Rinse"- If the user programs a "Cycle Time" for "Extra Rinse" other than 0 ("No Cycle"), the feature becomes active. However, the customer will not be prompted to pay an additional vend price for "Extra Rinse" unless the user programs the Price to a value other than 0 ("Free").

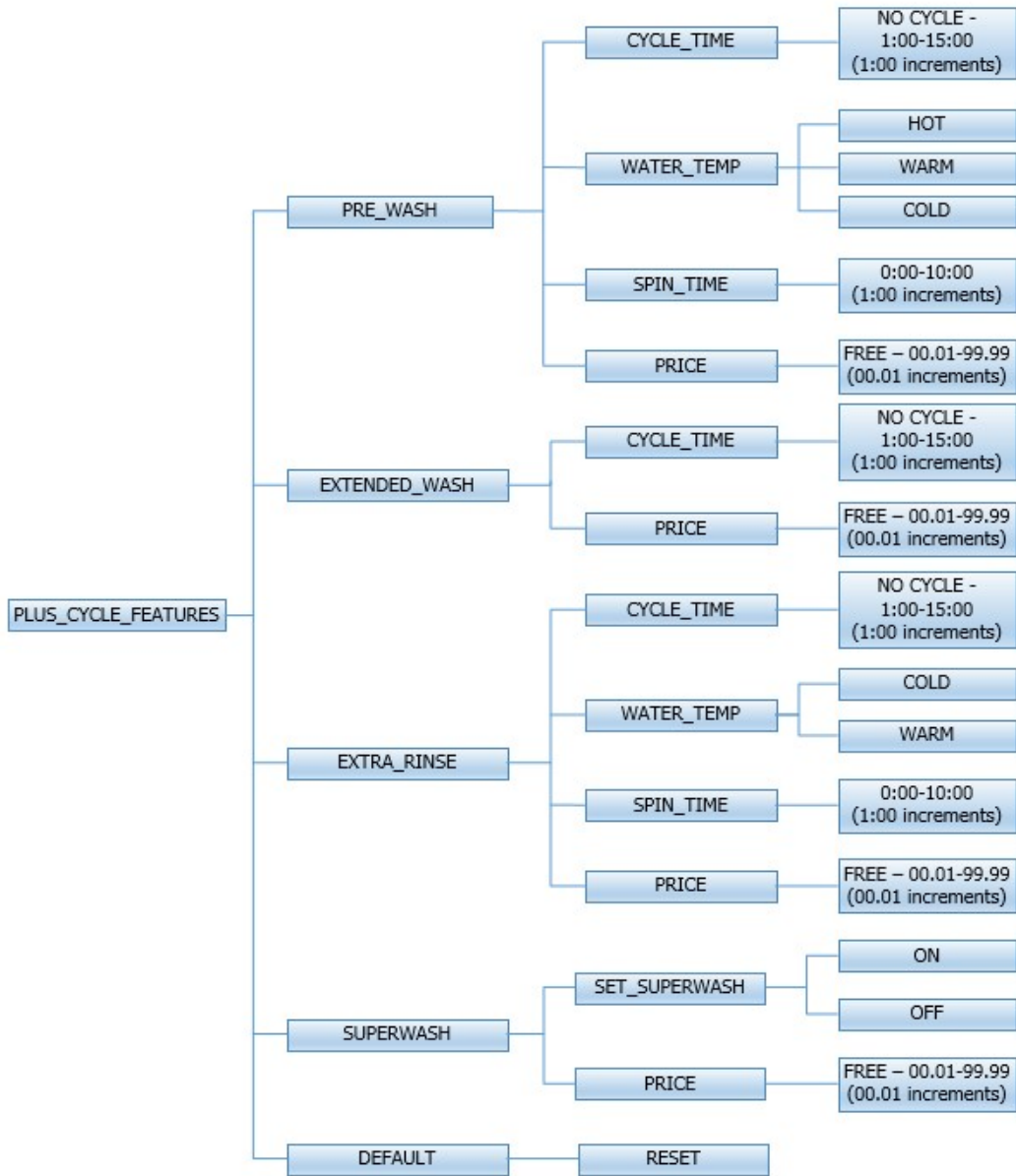
With the "Extra Rinse" feature active, an additional bath and, optionally, an additional spin, will occur after the standard "Final Rinse" bath described in the Cycles Options section. With the "Extra Rinse" feature active and a Price value

programmed, the customer will be prompted to add additional coins if they wish to purchase the "Extra Rinse" feature. This prompt will occur during the standard "Final Rinse" bath. If the customer does not meet the vend price of the "Extra Rinse" feature, the prompt will time out and the "Extra Rinse" bath will not occur.

4. "SuperWash" – If the user programs SuperWash to "On", the feature becomes active. However, the customer will not be prompted to pay an additional vend price for "SuperWash" unless the user programs the Price to a value other than 0 ("Free"). With the "SuperWash" feature active, any combination of the "Pre-Wash", "Extend Wash", or "Extra Rinse" features, of which that are also active, will be automatically implemented during the cycle. No additional prompting for vend will occur for the individual features during the cycle. For example, if "Pre-Wash", "Extra Rinse", and "SuperWash" options are active and "SuperWash" price is met, the "Pre-Wash" and "Extra Rinse" features will automatically occur during the cycle. The control will not prompt for "Extra Rinse" vend at the normal prompting time of the cycle.

With the "SuperWash" feature active and "Price" value programmed, the customer will be prompted to add additional coins if they wish to purchase the "SuperWash" feature. This will occur after they have entered coins to meet the Base Vend price. If the customer does not meet the "SuperWash" vend price, the prompt will time out and the configured combination of "Pre-Wash", "Extend Wash", or "Extra Rinse" features that make up SuperWash will not occur. The "SuperWash" price will take priority over the individual pricing of the "Pre-Wash", "Extend Wash", and "Extra Rinse" features that are active. If the "SuperWash" vend price is not met before the cycle is started, the customer will be prompted (again) once the cycle starts to add additional coins if they wish to purchase the "SuperWash" feature. If the customer does not meet the "SuperWash" vend price, the prompt will time out and "SuperWash" will not occur. This is the last time during the cycle the customer will be prompted to add additional coins for SuperWash.

The figure below shows the sub menu options for Plus Cycle Options:



4.7 Settings:

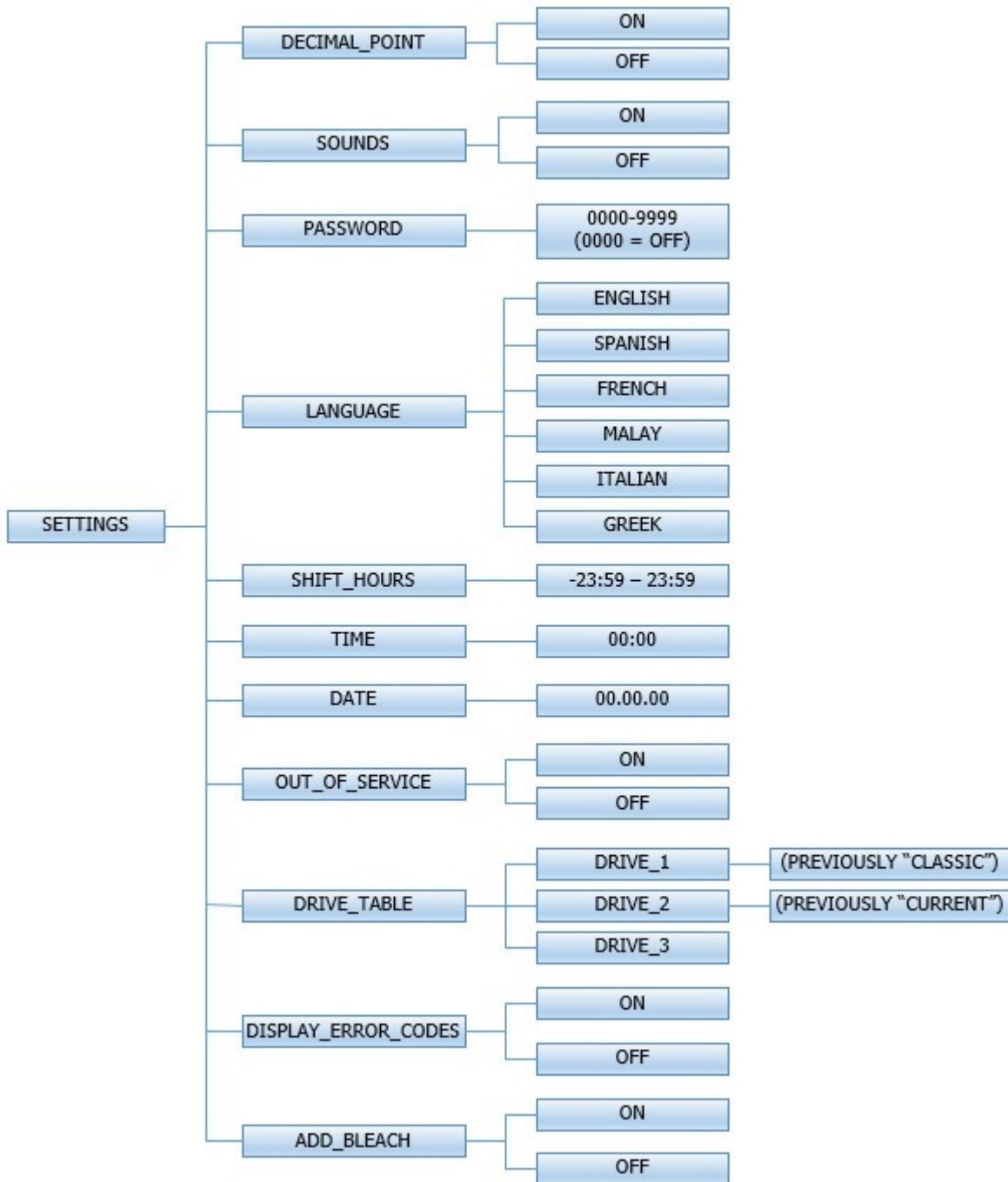
The "Settings" options allow for the user to make various programming changes to change how the control operation affects the customer. See below for detailed information on each next level option.

1. "Decimal Point"- If the user programs the Decimal Point to "OFF", control display will not show a decimal point on any vend price values. The factory default is "ON".
2. "Sounds"- If the user programs the Sounds to "OFF", the control will not sound the enunciator at the end of a wash cycle. The factory default is "ON".
3. "Password"- If the user programs the password to any value other than 0000, the control will prompt the user to enter a password (the programmed value) before manual programming can be accessed. The factory default is "0000" (no password).
 - a. Note that if the user forgets the Password, it can be reset to factory default (no password), by performing a hard reset on the control. Please refer to the appropriate section of this manual to understand how to perform a hard reset.
 - b. The individual digits of the Password can be set by using the "Up" or "Down" buttons to change the number that is flashing. Once the desired number is chosen for a single digit, press the "Enter" button to move to the next one. Once all four desired digits are chosen, the "Enter" button must be held down for 3 seconds to confirm that the complete password should be set.
4. "Language"- The control uses English for the default language of the customer prompts. Alternatively, the user can choose Spanish, French, Malay, Italian, or Greek for the customer display prompts. However, all other prompts, such as Manual Programming, USB Programming and any Error Codes will still display in English.
5. "Shift Hours"- This feature allows the user to shift the time used by the control from the time kept internally by the control. The control uses a Real Time Clock (RTC) to internally track the time and date. The RTC continues operation even if the control loses external power. The RTC is set for Central Standard Time and no daylight savings. Because the machine may be located in another time zone, the user can choose to create an alternate time & date that tracks in parallel to the RTC. When this alternate time is chosen, or shifted from the RTC, the alternate time will be used to, for example, track error code occurrences and set time-of-day pricing changes.
 - a. The hours in "SHIFT HOURS" can be set by using the "Up" or "Down" buttons to change the number that is flashing. Once the desired hour shift is chosen, press the "Enter" button to move to the minutes. Once the hours and minute shift are both chosen, the "Enter" button must be held down for 3 seconds to confirm that the complete shifted time is set.
6. "Time"- The control uses a Real Time Clock (RTC) to internally track the time and date. The RTC continues operation even if the control loses external power. The RTC is set for Central Standard Time and no daylight savings. However, if a problem occurs and the RTC time is not accurate, it can be reset to the current time using this option.

- a. The hours in "TIME" can be set by using the "Up" or "Down" buttons to change the number that is flashing. Once the desired hour is chosen, press the "Enter" button to move to the minutes. Once the hours and minute are both chosen, the "Enter" button must be held down for 3 seconds to confirm that RTC is meant to be reset to the complete entry.
7. "Date"- Similar to "Time", if a problem occurs and the RTC date is not accurate, it can be reset to the current date using this option.
 - a. The day of the month in "DATE" can be set by using the "Up" or "Down" buttons to change the number that is flashing. Once the desired day of the month is chosen, press the "Enter" button to move to the month of the year. Once the desired month of the year is chosen, press the "Enter" button to move to the year. Once the day, month and year are all chosen, the "Enter" button must be held down for 3 seconds to confirm that RTC is meant to be reset to the complete entry.
8. "Out of Service" – The control can be put into an Out-of-Service mode via manual programming. When the mode is "ON", the control will scroll "OUT OF SERVICE" on the display. The machine will not react to any vend input and will not operate when in this mode. The factory default is "OFF".
9. "Drive Table"- The control knows what model of washer it is installed in based on various inputs including information it receives from the Variable Frequency Drive (VFD). However, because multiple VFD's can be used on the same model, depending on when it was manufactured, the "DRIVE TABLE" option is available. "DRIVE ERROR 1" will display on the control when the Drive Table setting does not match the appropriate VFD in the washer.
 - a. Choose "Drive 3" for C4 models (ex. WC0600XA-12E**C4**X-)
 - b. Choose "Drive 2" for C1, C2, or C3 models (ex. WC0600XA-12E**C2**X-)
 - c. Choose "Drive 1" for WCAD models (ex. **WCAD**40KCS)Contact your local Dexter distributor for more information.
10. "Display Error Codes" – If the user programs the Display Error Codes to "OFF", the control will not display the non-critical errors (non-cycle ending errors) if they occur during the cycle. This includes "Slow Fill Error" and "Slow Drain Error" codes. The factory default is "ON".
11. "Add Bleach" – If the user programs the "Add Bleach" setting to "OFF", the control will not display the "Add Bleach" prompt during the cycle. The factory default is "ON".

To reset all values in the Settings options to factory default, press "Enter" when the "DEFAULT" prompt is shown. Press "Enter" again when the "RESET" prompt is shown to confirm the action.

The figure below shows the sub menu options for Settings:

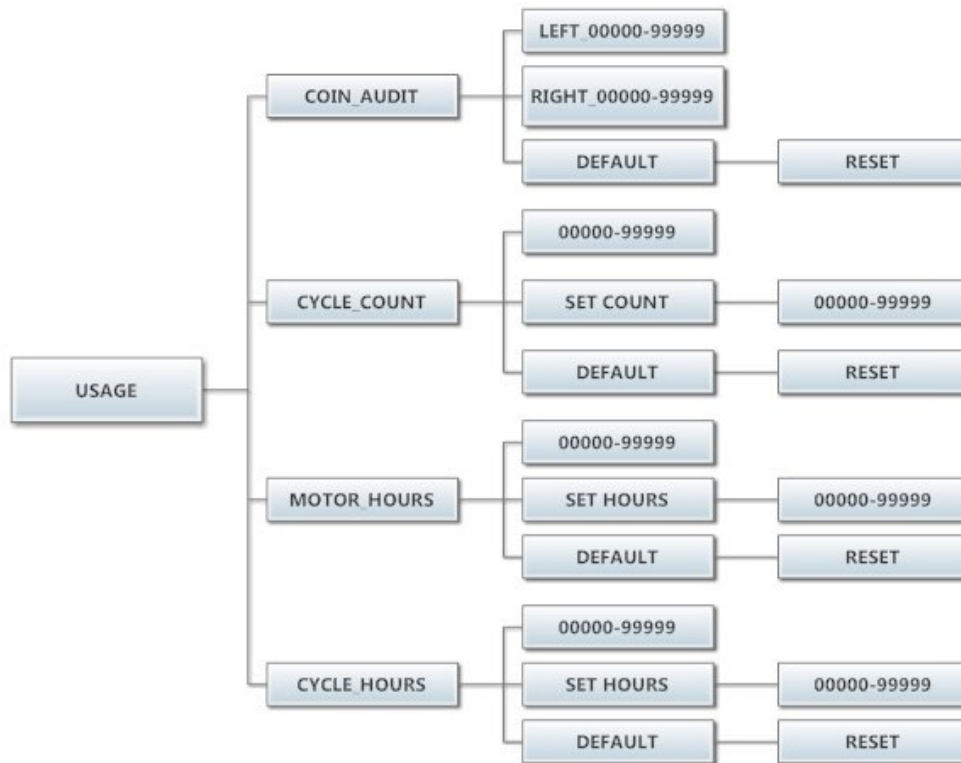


4.8 Usage Menu:

The Usage menu allows for the user to track data about machine usage. See below for detailed information on each sub menu option.

1. "Coin Audit": The coin audit field shows the accumulation of coin pulses that were sent to the control over each of the left and right coin inputs. Note that this is a count of coin pulses, not an accumulated report of vend value.
 - a. The user can also return the coin audit amounts to the factory default setting (zero). To reset all coin audit values, press "Enter" when the "DEFAULT" prompt is shown. Press "Enter" again when the "RESET" prompt is shown to confirm the action.
2. "Cycle Count": The cycle count field shows the accumulation of wash cycles that have occurred. Note that this is a count of cycles, not of hours accumulated. The user can also set the count value to a designated number. For example, if it is necessary to replace the control on a machine, the new control could be programmed to show the cycle count value that was recorded by the previously installed control. The individual digits of the count can be set by using the "Up" or "Down" buttons to change the number that is flashing. Once the desired digit of the count is chosen, press the "Enter" button to move to the next digit. Once the complete count is chosen, the "Enter" button must be held down for 3 seconds to confirm the action.
 - a. The user can also return the cycle count to the factory default setting (zero). To reset the cycle count, press "Enter" when the "DEFAULT" prompt is shown. Press "Enter" again when the "RESET" prompt is shown to confirm the action.
3. "Motor Hours": The motor hours field shows the accumulated hours of operation for the motor. In many cases, it will match the cycle hours of the machine. However, separate fields are provided in the event that a motor is replaced on a machine. The user can set the motor hours to a designated number. For example, if it is necessary to replace the control on a machine, the new control could be programmed to show the motor hours that were recorded by the previously installed control. The individual digits of the hours count can be set by using the "Up" or "Down" buttons to change the number that is flashing. Once the desired digit of the hours is chosen, press the "Enter" button to move to the next digit. Once the complete hours are chosen, the "Enter" button must be held down for 3 seconds to confirm the action.
 - a. The user can also return the motor hours to the factory default setting (zero). To reset the motor hours, press "Enter" when the "DEFAULT" prompt is shown. Press "Enter" again when the "RESET" prompt is shown to confirm the action.
4. "Cycle Hours": The cycle hours field shows the accumulated hours of operation for the washer. In many cases, it will match the motor hours of the machine. However, separate fields are provided in the event that a motor is replaced on a machine. See the Motor Hours description for more information.

The figure below shows the sub menu options for Usage:

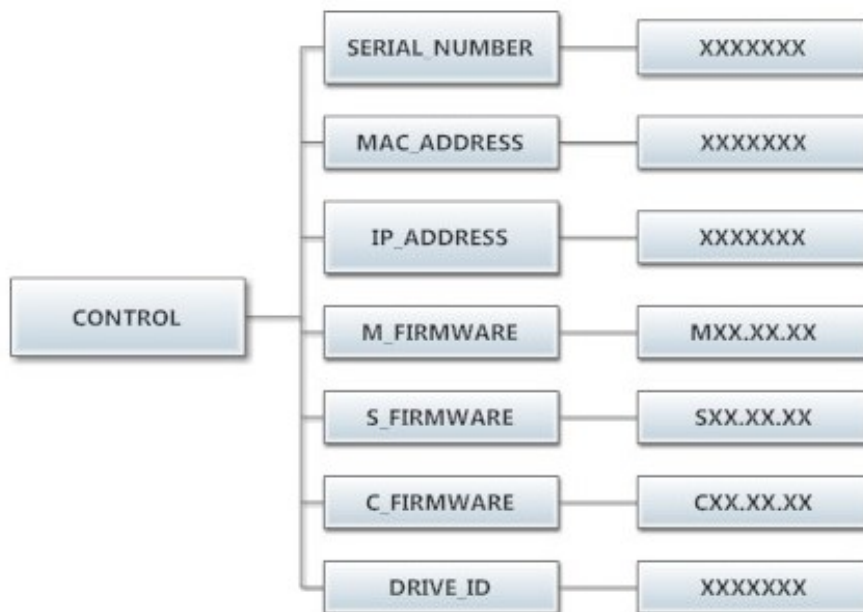


4.9 Control Menu:

The Control menu allows for the user to observe important technical information for the control. No changes can be made at this menu. See below for detailed information on each sub menu.

1. "Serial Number": This is the control serial number.
2. "MAC Address": The MAC Address is a unique identifier designated to the control by the manufacturer. It allows the control to be recognized by network routers.
3. "IP Address": The IP Address is the identifier given to the control by a network system.
4. "M Firmware": The M Firmware is the Main Firmware currently loaded onto the control.
5. "S Firmware": The S Firmware is the Secondary Firmware currently loaded onto the control.
6. "C Firmware": The C Firmware is the Communications Firmware currently loaded onto the control.

The figure below shows the sub menu options for Control:



4.10 COIN WASHER DEFAULT CYCLE

The following table shows the complete details for the coin washer default cycle.

Bath	Bath Cycle Time (min.)	Water Temp.	Delay Fill	Spin Time (min.)
Prewash	0	Cold	Off	0
Wash	9	Warm	Off	0
Extend Wash	0	n/a	n/a	n/a
Rinse	4	Cold	Off	1
Final Rinse	5	Cold	Off	n/a
Extra Rinse Spin	n/a	n/a	n/a	0
Extra Rinse Bath	0	Cold	Off	n/a
Final Extract Spin	n/a	n/a	n/a	6

4.11 WASHERS WITHOUT COIN ACCEPTORS

If you purchased a washer without a coin acceptor and are installing a payment device of your choice, refer to the washer wiring diagram for proper connection. You may also need to contact the payment device supplier for additional information.

4.12 RAPID ADVANCE MODE

Rapid Advance mode may be manually entered by pushing and holding the Cold water temperature button and then pushing and holding the programming button on the controller for three seconds. There will be no observed change to the washer or the display. The Rapid Advance mode can be entered from either the Idle mode or during the cycle. To rapid advance to the next step in the wash cycle, push the start button. The display will show "ADVANCE". The washer will advance to the next bath segment. The water will drain before the advance will occur.

The Rapid Advance mode will not end until the final bath segment is completed. The final segment cannot be skipped in Rapid Advance mode.


Notes: 1. When the Rapid Advance mode is used, the cycle time will no longer be correct.

2. By skipping steps with rapid advance, the door may not open immediately at the end of the cycle.

4.13 WATER LEVEL ADJUSTMENT


The water level of all baths can be adjusted by changing the switch settings on the electronic pressure sensor. Vended washers are shipped with the pressure sensor harness connected to Switch #1 and factory set for an energy-efficient water level. Switch #2 is factory set for the classic water level. To use Switch #2, move the org/yel wire from the terminal marked 21 to the terminal marked 31 and move the red wire from the terminal marked 22 to the terminal marked 32.

Water level adjustments can also be made in 1/4" (6 mm) increments by adjusting the switch positions for the desired level. It is not recommended for the water level to be set above the factory Switch #2 settings. Refer to the following chart for the switch settings and the factory default settings:



Water Level Chart

Switch Positions:							Factory Settings:				
Depth inches (mm):	Pos 1	Pos 2	Pos 3	Pos 4	Pos 5	Pos 6	Model	Vended			
								Switch #1 Efficient		Switch #2 Classic	
							Inches (mm)		Inches (mm)		
5.00 (127)	off	off	off	off	off	off	T-300	5.25	(133)	7.00	(178)
5.25 (133)	on	off	off	off	off	off	T-350	5.25	(133)	6.25	(159)
5.50 (140)	off	on	off	off	off	off	T-350 SWD	5.25	(133)	6.25	(159)
5.75 (146)	on	on	off	off	off	off	T-400	7.00	(178)	9.00	(229)
6.00 (152)	off	off	on	off	off	off	T-450	6.00	(152)	6.25	(159)
6.25 (159)	on	off	on	off	off	off	T-450 SWD	5.00	(127)	7.00	(178)
6.50 (165)	off	on	on	off	off	off	T-600	7.25	(184)	9.25	(235)
6.75 (171)	on	on	on	off	off	off	T-650	6.50	(165)	8.25	(210)
7.00 (178)	off	off	off	on	off	off	T-750	6.00	(152)	7.50	(191)
7.25 (184)	on	off	off	on	off	off	T-750 SWD	9.25	(235)	11.75	(298)
7.50 (191)	off	on	off	on	off	off	T-900	6.00	(152)	7.50	(191)
7.75 (197)	on	on	off	on	off	off	T-950	6.00	(152)	7.50	(191)
8.00 (203)	off	off	on	on	off	off	T-1200	6.00	(152)	7.50	(191)
8.25 (210)	on	off	on	on	off	off	T-1450	6.75	(171)	7.00	(178)
8.50 (216)	off	on	on	on	off	off	T-1800	6.75	(171)	7.00	(178)
8.75 (222)	on	on	on	on	off	off					
9.00 (229)	off	off	off	off	on	off					
9.25 (235)	on	off	off	off	on	off					
9.50 (241)	off	on	off	off	on	off					
9.75 (248)	on	on	off	off	on	off					
10.00 (254)	off	off	on	off	on	off					
10.25 (260)	on	off	on	off	on	off					
10.50 (267)	off	on	on	off	on	off					
10.75 (273)	on	on	on	off	on	off					
11.00 (279)	off	off	off	on	on	off					
11.25 (286)	on	off	off	on	on	off					
11.50 (292)	off	on	off	on	on	off					
11.75 (298)	on	on	off	on	on	off					
12.00 (305)	off	off	on	on	on	off					
12.25 (311)	on	off	on	on	on	off					
12.50 (318)	off	on	on	on	on	off					
12.75 (324)	on	on	on	on	on	off					
13.00 (330)	off	off	off	off	off	on					
13.25 (337)	on	off	off	off	off	on					
13.50 (343)	off	on	off	off	off	on					
13.75 (349)	on	on	off	off	off	on					
14.00 (356)	off	off	on	off	off	on					
14.25 (362)	on	off	on	off	off	on					
14.50 (368)	off	on	on	off	off	on					
14.75 (375)	on	on	on	off	off	on					
15.00 (381)	off	off	off	on	off	on					



5 DISPLAYED WASHER MESSAGES

**Displayed
Fault Code Description**

DOOR LOCK ERROR	Door Lock Error	Condition	This error is when the Door Locked signal is not received within one second after the start of the cycle. <i>After three attempts to start the washer.</i>
		Delay	Immediate
		Action	When the error occurs, the Door Lock Motor will be turned off; all other outputs will be turned off.
		Solution	Check VFD fault light. Check to hear if door motor engaged. Turn off the power to the washer. Check wire connections to door /lock switches. Check wire connections from switches to controller. Check P-4 Door/Lock wire connections at PCB controller. Adjust the door lock mechanism. (See on line service manual or video)
SLOW FILL ERROR	Slow Fill Error	Condition	This error is when a low water level is not reach within 7 minutes.
		Delay	Immediate
		Action	The washer cycle will continue
		Solution	Turn off the power to the washer. Check the operation of the water valves. Check the incoming water pressure. Check for blocked or restricted water flow. Check to ensure the drain valve is functioning properly.
MEMORY ERROR	Checksum or Out of Range Error	Condition	Memory error in the controller. The memory checksum is wrong or a parameter value is out of range.
		Delay	Immediate
		Action	Stop the washer and turn off all the outputs.
		Solution	Check VFD fault light before turning off power. Try a soft Reset of the controller with the white button. If problem persist replace PCB controller.
COMM ERROR1	I2C Bus Error	Condition	Washer controller communication error on the I2C bus. Both the main slave micro and the master micro can be in this error state. The slave micro error is recoverable at any time, if I2C communication resumes. The master micro error is permanent.

		Delay	The main slave starts displaying this error after 6 seconds of no (valid) I2C activity. The master micro goes into this permanent error state after 8 seconds of no (valid) I2C activity
		Action	Stop the washer and turn off all outputs.
		Solution	Check VFD fault light before turning off power. Try the data cable first. Move around cable and remove any side loading tension from data cable connector ends. Check connection P23 to P15. Turn power back on to the washer. If the problem returns, replace the PCB washer controller.
COMM ERROR2	Wrong Washer Size Jumper Configuration	Condition	Invalid washer size jumper (harness) configuration.
		Delay	Immediate (after the wrong size jumper configuration is read). Washer size/type inputs are read only at power up, before starting a cycle, once every 24 hours, and in factory test mode.
		Action	Stop the washer.
		Solution	Check VFD fault light before turning off power. If the controller was installed in a different size machine before being installed in this machine, a problem can occur. If someone has been doing repairs on the washer, check for the correct size drive. It can also be caused by pressure switch harness. Check to ensure the correct harness is installed. The control can be reset by holding program button on controller during startup (soft reset). Check orange wire at Molex connector on controller coming from pressure switch or replace pressure switch harness.
COMM ERROR3	Washer Size or Type Changed	Condition	The washer size or washer type configuration has changed.
		Delay	Immediate (after the size jumper configuration is read). Washer size/type inputs are read only at power up, before starting a cycle, once every 24 hours, and in factory test mode.
		Action	Stop the washer.
		Solution	Check VFD fault light before turning off power. Check to ensure all the harnesses are properly connected to the controller. Check to ensure the VFD drive horsepower is proper for this size of washer. The control can be reset by holding program button on controller during startup (soft reset). Check orange wires at Molex connector on controller coming from pressure switch.

COMM ERROR4	VFD Non Existent or communication fault	Condition	This error is when the washer controller cannot communicate with the drive.
		Delay	Delay time is 2 seconds
		Action	Stop the machine and clear the cycle. Keep the door locked until the machine has stopped moving and then unlock the door.
		Solution	Check the data communication cable between the washer computer and the variable frequency drive (VFD). Step 1: Make sure the cable did not become unplugged during operation. Step 2: Make sure that the cable is not being pulled sideways at either the washer controller, or the VFD, plug end. If both ends of the communications cable are plugged in the washer computer and VFD and there is no tension on the communications cable pulling it from side to side, then replace the cable. Step 3: Inspect both female connection points at PCB controller and at VFD. These may need replacement if they cannot be reset.
COMM ERROR5	VFD Communication Fault	Condition	This error is caused when the control detects no cylinder motion when it should be rotating.
		Delay	Immediate
		Action	The washer cycle will continue but without any cylinder motion. "COMM_ERROR_5" will flash three times then wait 30 seconds and then repeat. No change in operation.
		Solution	Check the VF drive enable wire connections from relay board to drive.
SLOW DRAIN ERROR	Drain Error	Condition	This error is when an empty water level is not reach within 7 minutes.
		Delay	Immediate
		Action	The washer cycle will continue. Do not spin the tumbler without reaching an empty water level. If empty water level is not reached, agitate during the normal spin time.
		Solution	Check VFD fault light before turning off power. Check to ensure the drain valve is operating properly (slow drain has potential to cause this code). Check to ensure the pressure switch tube is clear of any blockage, and the pressure switch is operating properly. Check the pressure switch harness.
SPIN STOP	Stop Error	Condition	This error is when the washer does not stop spinning within 150 seconds after

ERROR			receiving the command.
		Delay	Immediate
		Action	Keep the door locked until the machine has stopped moving and then unlock the door.
		Solution	Check VFD fault light before turning off power. Inspect the braking resistors and measure the resistance. Check connecting wiring from braking resistor to the drive mounted in the top of the washer. Reset the drive and try again. Possibly incorrectly programmed drive.
DRIVE ERROR1	Washer size/ VFD size mismatch	Condition	This error is when the drive size does not match the washer size.
		Delay	Immediate. (after the size jumper configuration is read). Washer size/type inputs are read only at power up, before starting a cycle, once every 24 hours and in factory test mode
		Action	Stop the machine and clear the cycle. Keep the door locked until the machine has stopped moving and then unlock the door
		Solution	Check VFD fault light before turning off power. If the controller was installed in a different size machine before being installed in this machine, a problem can occur. If someone has been doing repairs on the washer, check for the correct size drive. It can also be caused by pressure switch harness. Check to ensure the correct harness is installed. The control can be reset by holding program button on controller during startup (soft reset). Check orange wire at Molex connector on controller coming from pressure switch or replace pressure switch harness.
PCB ERROR2	Controller Internal Fault	Condition	This error is an internal failure of the washer controller related to inputs being matched between the master and slave micros
		Delay	Immediate
		Action	Stop the machine and clear the cycle. Keep the door locked until the machine has stopped moving and then unlock the door.
		Solution	The washer will not restart until the power is removed and re-applied.
DRIVE OC	VFD Over-current Fault	Condition	This error is an over-current on the VF drive
		Delay	Delay time is 35 seconds

		Action	Stop the machine and clear the cycle. Keep the door locked until the machine has stopped moving and then unlock the door.
		Solution	<p>Step 1: Check to make sure the washer cylinder turns freely by hand. If it turns freely, continue to step 2. If it does not, remove the belt and see if the motor turns freely by hand. If the motor turns freely, then check for obstructions in the cylinder or check the bearings. If the motor does not turn freely, replace the motor.</p> <p>Step 2: Check the motor wires for a short circuit between leads. If there are motor leads that have conductors touching, separate them and insulate them. If the wires are broken, splice them together or replace the motor.</p> <p>Step 3: Check braking resistors to see if they measure the correct resistance. If a resistor does not measure the proper value, replace it.</p>
DRIVE OV	VFD Over-voltage Fault	Condition	This error is over-voltage on the VF drive
		Delay	Delay time is 35 seconds.
		Action	Stop the machine and clear the cycle. Keep the door locked until the machine has stopped moving and then unlock the door.
		Solution	<p>Step 1: Measure the supply voltage to the VFD on the L1, L2 (or N), and L3 (if connected to three phase power). The supply voltage should be from 187 to 264 VAC or 108 to 132 VAC for a 120 VAC VFD. Also make sure the supply wires on L1, L2 (or N) and L3 (if connected to three phase power) are securely connected.</p> <p>Step 2: Check the braking resistor connections at the VFD. The terminal screws should be tight. One of the braking resistor wires should be connected to terminal B2.</p> <p>Step 3: Measure each braking resistor separately to make sure they are the correct resistance. (200 for 1, 2 and 3 Hp VFD and 160 for 5 Hp and larger VFD).</p> <p>Step 4: If you have a 240 VAC, high leg voltage supply, try disconnecting the high leg. If this cures the problem, leave the high leg disconnected, connect a transient voltage surge suppressor (with some form of filtering) at the voltage supply panel, connect a line choke on the high leg or install a VFD filter.</p>
DRIVE OH	VFD Overheat Fault	Condition	This error is over-heating on the VF drive

		Delay	Delay time is 12 seconds.
		Action	Stop the machine and clear the cycle. Keep the door locked until the machine has stopped moving and then unlock the door
		Solution	Step 1: Make sure the cooling fins on the VFD heat sink and the ventilation louvers on the VFD cooling fan cover are clean. Step 2: Start a washer cycle and make sure the VFD cooling fan operates after the cylinder starts turning.
DRIVE OL	VFD Overload Fault	Condition	This error is overload on the VF drive
		Delay	Delay time is 12 seconds.
		Action	Stop the machine and clear the cycle. Keep the door locked until the machine has stopped moving and then unlock the door
		Solution	(Check drive fault code before powering down). Check the washer motor to ensure it turns freely. Check the wiring for loose connections to the drive and motor. Measure the braking resistor values. Check for damaged motor wires. Check V-Belt tension and adjust to 1" deflection at center. Check braking resistors.
DRIVE GFI	VFD Ground Fault	Condition	This error is a ground fault interruption on the VF drive
		Delay	Delay time is 12 seconds.
		Action	Stop the machine and clear the cycle. Keep the door locked until the machine has stopped moving and then unlock the door.
		Solution	Check VFD light code before turning off power. Check the wiring connections to the drive and motor. Check the ground wiring of the drive, motor and incoming connection to ensure a proper ground is present. Check for damaged motor wires.
DRIVE LV	VFD Low Voltage	Condition	This error is low voltage on the VF drive
		Delay	Delay time is 12 seconds.
		Action	Stop the machine and clear the cycle. Keep the door locked until the machine has stopped moving and then unlock the door.
		Solution	Check VFD light code before turning off power. Turn the power off to the washer. Check the wiring connections to the drive and motor. If no problem is observed, turn on power to the washer and test. (See Note) Measure the incoming line voltage.
DRIVE IF	VFD Internal	Condition	This error is an internal VF drive error

	Fault		
		Delay	Delay time is 12 seconds.
		Action	Stop the machine and clear the cycle. Keep the door locked until the machine has stopped moving and then unlock the door.
		Solution	Check VFD fault light before turning off power. Turn the power off to the washer. Wait one minute. Turn the power on to the washer. If problem reappears, contact your Dexter representative.
INVALID DRIVE	Drive is not the correct Dexter version of the Delta MS300 drive	Condition	The error indicates the VF drive is not a Dexter version of the Delta MS300 drive.
		Delay	Immediate (after the Dexter indication value is read from drive). Drive indication value is read only at power up, before starting a cycle, once every 24 hours, and in factory test mode.
		Action	Stop the machine and clear the cycle. Keep the door locked until the machine has stopped moving and then unlock the door.
		Solution	VFD has been replaced, disconnected, or removed. Drive is not the correct Dexter version of the Delta MS300 drive. Replace drive with Dexter Delta MS300 drive.
COMM ERROR6	VFD Communication Fault	Condition	This error indicates that a VFD exception error is set and there is no VFD fault in the VFD fault register and there is no COMM ERROR 5 condition.
		Delay	Occurs following the "DELAY" error (see corresponding detail)
		Action	Stop the machine and clear the cycle. Keep the door locked until the machine has stopped moving and then unlock the door.
		Solution	The washer will not restart until the power is removed and re-applied.

COMM ERROR7	Communication Bus Error	Condition	If a state-of-health message reply is not seen by the master microprocessor from the UC3 microprocessor after 10 minutes, the master will reset the UC3 and restart the 10 minute timer. Again, after 10 minutes, if a state-of-health message is not received by the master, it will reset the UC3 a second time. After 10 minutes, the master will reset the UC3 a final time and post a COMM ERROR 7. Note: When the master resets the UC3, the control will disconnect from the network. If the first reset is not successful, the control will not be able to reconnect to the network, USB or card reader functions.
		Delay	3 cycles of 10 minutes (see above)
		Action	When detected, the washer control will stop the machine and clear the cycle. It will keep the door locked until the machine has stopped moving and then unlock the door.
		Solution	The washer will not restart until the power is removed and re-applied.
COMM ERROR8	VFD Communication Fault	Condition	This error is caused when the VFD reports a frequency value that is out of range
		Delay	Delay time is 35 seconds
		Action	Stop the machine and clear the cycle. Keep the door locked until the machine has stopped moving and then unlock the door.
		Solution	The washer will not restart until the power is removed and re-applied.
SECONDARY FUSE ERROR	Factory program error	Condition	This error occurs when the fuse settings for the Slave/Secondary microprocessor have not been set correctly during factory programming
		Delay	None
		Action	When detected, the washer control shall not be operational.
		Solution	The control must be re-programmed with the factory programming tool.
MAIN FUSE ERROR	Factory program error	Condition	This error occurs when the fuse settings for the Master/Main microprocessor have not been set correctly during factory programming
		Delay	None
		Action	When detected, the washer control shall not be operational.
		Solution	The control must be re-programmed with the factory programming tool.

DELAY	Communication loss	Condition	This is an intermediate error code that displays as the control is attempting to re-establish communications with the variable frequency drive. It is a condition of other specified Error Codes (for example Comm Error6).
		Delay	4 cycles of 10 seconds if during tumble portion of cycle 4 cycles of 2 minutes if during spin portion of cycle
		Action	Prompt is displayed during each of the specified 10 second or 2 minute periods. Error condition (such as Comm Error4) occurs, but Delay is shown instead of specific Error Code. Action during this time is dependent on the specific error code that caused it.
		Solution	None. Either communication is re-established or the specific Error Code eventually occurs.
DRIVE STO	VFD Safety Torque Off Error	Condition	This error occurs when the drive detects an open circuit in both the S1 and S2 to +24V drive jumper connections.
		Delay	Occurs following the "DELAY" error (see corresponding detail)
		Action	Stop the machine and clear the cycle. Keep the door locked until the machine has stopped moving and then unlock the door.
		Solution	Check VFD light code before turning off power. Turn the power off to the washer. Check the wiring connections to the S1, S2, and +24V drive jumper connections. If no problem is observed, turn on power to the washer and test. If problem reappears, contact your Dexter representative.
DRIVE STL	VFD Internal Hardware Error	Condition	This error occurs when the drive detects an open circuit in either the S1/+24V or S2/+24 drive jumper connections.
		Delay	Occurs following the "DELAY" error (see corresponding detail)
		Action	Stop the machine and clear the cycle. Keep the door locked until the machine has stopped moving and then unlock the door.

		Solution	Check VFD light code before turning off power. Turn the power off to the washer. Check the wiring connections to the S1, S2, and +24V drive jumper connections. If no problem is observed, turn on power to the washer and test. If problem reappears, contact your Dexter representative.
DRIVE_PHLI	VFD Input Phase Loss	Condition	This error occurs when an input phase loss is detected
		Delay	Occurs following the "DELAY" error (see corresponding detail)
		Action	Stop the machine and clear the cycle. Keep the door locked until the machine has stopped moving and then unlock the door.
		Solution	Check VFD light code before turning off power. Turn the power off to the washer. Check the wiring connections to the drive and motor. If no problem is observed, turn on power to the washer and test. If problem reappears, contact your Dexter representative.
DRIVE_PHLO	VFD Output Phase Error	Condition	This error occurs when an issue is detected with the drive output phases
		Delay	Occurs following the "DELAY" error (see corresponding detail)
		Action	Stop the machine and clear the cycle. Keep the door locked until the machine has stopped moving and then unlock the door.
		Solution	Check VFD light code before turning off power. Turn the power off to the washer. Check the wiring connections to the drive and motor. If no problem is observed, turn on power to the washer and test. If problem reappears, contact your Dexter representative.
MOTOR_OL	VFD Motor Overheating	Condition	This error occurs when the VF AC motor drive is overheating
		Delay	Occurs following the "DELAY" error (see corresponding detail)
		Action	Stop the machine and clear the cycle. Keep the door locked until the machine has stopped moving and then unlock the door.

		Solution	Check VFD light code before turning off power. Check the washer motor to ensure it turns freely. Check the wiring for loose connections to the drive and motor. Measure the braking resistor values. Check for damaged motor wires. Check V-Belt tension and adjust to 1" deflection at center. Check braking resistors. If problem reappears, contact your Dexter representative.
DRIVE_OT	VFD Over-Torque	Condition	This error occurs when too much torque is detected on the VF drive
		Delay	Occurs following the "DELAY" error (see corresponding detail)
		Action	Stop the machine and clear the cycle. Keep the door locked until the machine has stopped moving and then unlock the door.
		Solution	Check VFD light code before turning off power. Check the washer motor to ensure it turns freely. Check the wiring for loose connections to the drive and motor. Measure the braking resistor values. Check for damaged motor wires. Check V-Belt tension and adjust to 1" deflection at center. Check braking resistors. If problem reappears, contact your Dexter representative.
DRIVE_ERROR_2	VFD Internal Error	Condition	This error occurs when there is an internal issue with the VF Drive
		Delay	Occurs when too much slip of motor is detected
		Action	Occurs following the "DELAY" error (see corresponding detail)
		Solution	Check VFD light code before turning off power. Turn the power off to the washer. If no problem is observed, turn on power to the washer and test. If problem reappears, contact your Dexter representative.
DRIVE_SLIP	Motor Slip Error	Condition	The washer will not restart until the power is removed and re-applied.
		Delay	Occurs following the "DELAY" error (see corresponding detail)
		Action	Stop the machine and clear the cycle. Keep the door locked until the machine has stopped moving and then unlock the door.

		Solution	Check VFD light code before turning off power. Check the washer motor to ensure it turns freely. Check the wiring for loose connections to the drive and motor. Measure the braking resistor values. Check for damaged motor wires. Check V-Belt tension and adjust to 1" deflection at center. Check braking resistors. If problem reappears, contact your Dexter representative.
DRIVE_COMM_2	VFD Internal Communication Error	Condition	This error occurs when communication issues are detected in the VF drive
		Delay	Occurs following the "DELAY" error (see corresponding detail)
		Action	Stop the machine and clear the cycle. Keep the door locked until the machine has stopped moving and then unlock the door.
		Solution	Check VFD light code before turning off power. Turn the power off to the washer. If no problem is observed, turn on power to the washer and test. If problem reappears, contact your Dexter representative.
DRIVE_COMM_1	VFD Non Existent or communication fault	Condition	This error is when the washer controller cannot communicate with the drive.
		Delay	Delay time is 2 seconds
		Action	Stop the machine and clear the cycle. Keep the door locked until the machine has stopped moving and then unlock the door.
		Solution	Check the data communication cable between the washer computer and the variable frequency drive (VFD). Step 1: Make sure the cable did not become unplugged during operation. Step 2: Make sure that the cable is not being pulled sideways at either the washer controller, or the VFD, plug end. If both ends of the communications cable are plugged in the washer computer and VFD and there is no tension on the communications cable pulling it from side to side, then replace the cable. Step 3: Inspect both female connection points at PCB controller and at VFD. These may need replacement if they cannot be reset.

Note: Whenever power is turned off to the washer, it **must** remain off for one minute. The washer will not operate properly if this is not done.

6 TROUBLESHOOTING

CAUTION: Label all wires prior to disconnection when servicing controls. Wiring errors can cause improper and dangerous operation. Verify proper operation after servicing.

ATTENTION: Lors des opérations d'entretien des commandes, étiqueter tous les fils avant de les déconnecter. Toute erreur de câblage peut être une source de danger et de panne.

If any of the following symptoms occur on this washer, check the suggested remedies listed below. If all probable causes have been eliminated and the symptom still exists, contact your local Dexter agent for further troubleshooting assistance. See contact information at the end of this manual. Parts & Service Manuals from Dexter are also available for further troubleshooting assistance.

Symptom	Probable Cause	Suggested Remedy
Machine does not start	Power supply	Check these areas: Circuit breakers, Voltage, Power leads, Power connections. Is front display LED showing a dollar amount?
	Door Switch	Check for continuity through door switch when door is closed. If no continuity, adjust or replace door switch.
	Control breaker or Fuse	60 Hz: Check 1.5 amp (T-950, T-1200 and T-1450 use 2.5amp) breaker or fuse (50 Hz: 7 amp) for continuity. If no continuity, replace breaker or fuse.
	Control Transformer	Check voltage output from control transformer for 120VAC (60 Hz) or 24VAC (50 Hz). If voltage is incorrect, replace transformer.
	Coin Acceptor	Check coin acceptor switch for any type of blockage or damage. Clean, adjust or replace the acceptor.
	Check PCB board	Check all wire connections for loose contacts.
	Check wiring between PCB	Check data cable. This is the cable with the phone type connectors on the main PCB control and the VFD. With the power removed unplug and check for damage, replug and retry washer.
	Check Relay PCB	Check all wire connections for sure contact.
	Check Door Locking Motor	Check that 120 VAC (60 Hz) or 24 VAC (50 Hz) power is at motor after start button is pushed.
Machine will not accept and count coins	Coin Acceptor	Check coin acceptor switch for any type of blockage or damage. Clean, adjust or replace the acceptor.
	Power Supply	Check these areas: Circuit breakers, Voltage, Power leads, Power connection
	Door Closed Safety Switch	Check door closed switch at door hinge for proper operation.
	Door Handle Closed Switch	Check single door closed switch at left side of door handle to close when handle is vertical.
	Control Breaker or fuse	Check breaker or fuse for continuity. If no continuity, replace breaker or fuse. For 60 Hz the T-300 through T-900 use the 1.5 amp fuse. The T-950, T-1200, T-1450 and T-1800 use a 2.5 amp fuse. (For 50 Hz, all use 7 amp)
	Main PCB	Replace
Door does not lock	Check display for fault code	Does "DOOR LOCK ERROR" show on the front of display? If yes follow tests described in fault code section.
	Door locking motor	Check to ensure that motor is receiving 120 VAC (60 Hz) or 24 VAC (50 Hz) from main relay PCB. If it is, replace motor.

	Door Switch	Check for continuity through door latch switch when door closed. If no continuity, adjust or replace door switch.
Door will not open	Thermoactuator	Check to see if thermoactuator and its mechanism are stuck or binding and not allowing the door lock motor to open. Check to be sure that the locking thermoactuator is not receiving 120VAC (60 Hz) or 24 VAC (50 Hz) during the last 1 1/2 minutes of the cycle. Also check to see that the unlocking thermoactuator is receiving 120VAC (60 Hz) or 24 VAC (50 Hz) during the last minute of the cycle. If the thermoactuators do not receive voltage at the correct times, change the PCB relay board. If the timing and voltage are correct, replace the thermoactuator.
	Door Locking Motor	Check the door lock motor. Make sure the motor is not stuck or in a bind. If motor does not move freely, replace locking motor.
	Door Rod	Check to see that door rod from locking motor to lock assy is long enough to allow lock assy to disengage. If not, adjust rod.
No hot water in detergent dispenser	Water Valve Coil	Check coil continuity at terminals and replace if no continuity. 120 VAC (60 Hz) or 24 VAC (50 Hz) power only on for 20 second in wash bath.
	Water Inlet	Check water inlet screens for blockage and clean screens if necessary.
	Water	Check to ensure that water is turned on and operating.
	P-20 Wire Harness	Check black & white harness.
Hot water does not enter tub in wash	Water Valve Coil	Check coil continuity at terminals and replace if no continuity. Check for 120 VAC (60 Hz) or 24 VAC (50 Hz) power from main relay PCB.
	Water Inlet	Check water inlet screens for blockage and clean if necessary.
	Water	Check to ensure that water is turned on and operating.
	Black or white wire at controller and main relay PCB	Check black and white wire at Molex plug on main PCB controller P21 connection and at PCB relay board P20 connection.
	Pressure Switch	Check pressure switch continuity between terminal contacts. If no continuity, check pressure switch hose for obstruction. If the hose is okay then change pressure switch.
No cold water to tub in wash	Water Valve Coil	Check coil continuity at terminals and replace if no continuity. Check for 120 VAC (60 Hz) or 24 VAC (50 Hz) power from main relay PCB.
	Water Inlet Screens	Check water inlet screens for blockage and clean if necessary.
	Water	Check to ensure that water is turned on and operating.
	Black or white wire at controller and main relay PCB	Check black and white wire at Molex plug on main PCB controller P21 connection and at PCB relay board P20 connection.
	Pressure Switch	Check pressure switch continuity between terminal contacts. If no continuity, check pressure switch hose for obstruction. If the hose is okay then change pressure switch.
Water comes in but level does not rise	Drain Valve (open)	<p>Check these areas:</p> <ul style="list-style-type: none"> • Drain valve blockage. • Drain valve motor and gear train. If there is power to the valve but drain valve does not close, replace drain valve and motor. • Power to the drain valve. If no power to drain valve, check (brn/yel) wire at PCB relay board. If there is no power on the (brn/yel) wire when the washer is in a wash cycle replace relay

		board.
	Black or white wire at controller and main relay PCB	Check black and white wire at Molex plug on main PCB controller P21 connection and at PCB relay board P20 connection.
Water does not flush softener compartment.	Water Valve Coil	Check coil continuity at terminals and replace if no continuity.
	Water Inlet Screens	Check water inlet screens for blockage and clean if necessary.
	Water	Check to ensure that water is turned on and operating.
	Pressure Switch	Check pressure switch continuity between terminal contacts. If no continuity, check pressure switch hose for obstruction. If the hose is okay then change pressure switch.
Water level too high	Pressure Switch	Check for blockage in pressure switch hose. Check for pressure switch opening circuit across terminals. Replace switch if contacts do not open.
Water drains slowly	Drain System	Check hoses and drain valve for blockage. Check to make sure building drain is of adequate size. Check building drains for blockage.
Machine does not turn	VFD	Check VFD by removing top panel. If no display turn power off to machine at breaker for 2 minutes and turn power back on to reset. If still no display replace VFD.
Machine tumbles in one direction	VFD	See DISPLAYED WASHER FAULTS section for more info.
	VFD	Inspect yellow enable wires from main relay PCB and at VFD
Excessive vibration	Mounting System	Check these areas: <ul style="list-style-type: none"> • Strength of mounting structure, concrete or base. • Mounting bolts may be loose and need tightening.
	Drive Belt	Worn drive belt can cause vibration and noise.
	Loading	Small loads contribute to out of balance loading and increase vibration.
Machine does not spin	Pressure Switch	Check pressure switch for continuity across terminals #21 & #22 indicating pressure switch has reset to the empty position. If no continuity, change pressure switch.
Machine starts and does not operate	VFD	Check yellow enable wires from PCB relay board connection P13 & P14 to the VFD. Check connection of orange wire at P15 from door switches.
Machine does not stop	Main PCB	Main PCB controls time of the cycle and the end of cycle.
	Braking Resistors	Check braking resistors for continuity. Verify ohms resistance at braking resistors with wires removed.

<p>Water leakage around loading door</p>	<p>Door Adjustment</p>	<p>Door may need adjustment due to abuse or wear. Check tightness around perimeter using a dollar bill. Adjust left to right tightness by shims at door lock or hinge side. It is important to center gasket to tub opening before tightening door to hinge bolts. Chalk may be used on tub front to show point of contact with tub. If gasket is deformed, worn, or damaged, replace. Refer to parts section for door gasket expander kit.</p>
<p>Signs of a damaged E-Stop button.</p>	<p>Stop button</p>	<p>Machine accepts coins, When machines starts the buzzer will sound and then the machine stops. The display will then show "OPEN DOOR". Replace stop button.</p>

7 TRANSIENT VOLTAGE SURGE SUPPRESSORS

IMPORTANT

Like most electrical equipment your new machine can be damaged or have its life shortened by voltage surges due to lightning strikes which are not covered by factory warranty. Local power distribution problems also can be detrimental to the life of electrical components. We recommend the installation of transient voltage surge suppressors for your new equipment. These devices may be placed at the power supply panel for the complete installation and don't require an individual device for each machine.

These surge protectors help to protect equipment from large spikes and also from small ongoing spikes in the power that occur on a day to day basis. These smaller surges can shorten overall life of electrical components of all types and cause their failure at a later date. Although they can't protect against all events, these protective devices have a good reputation for significantly lengthening the useful life of electronic components.

Electronic components are helped to have a longer useful life when they are supplied with the clean stable electrical power they like.

We are including the following names and links to a few suppliers of these devices for those who don't currently have a source.

MANUFACTURER

LINK

MCG Surge Protection

mcgsurge.com

Eaton Corporation

eaton.com/us/en-us

Schneider Electric

se.com/us/en

Asco Power Technologies

ascopower.com/us/en

Emerson Electric Co.

emerson.com/en-us

8 SERVICE AND PARTS

The following parts are provided with each machine for use in installation.

For T-300, 350, 400, 450, 600, 650, 750, 900

<u>Dexter Part Number</u>	<u>Description</u>	<u>Quantity</u>
9990-027-011 (60Hz)	Hose, Water Supply	2
9990-024-015 (50Hz)	Hose, Water Supply (Red end)	1
9990-024-016 (50Hz)	Hose, Water Supply (Blue end)	1
8641-242-000 (All)	Washer, Inlet Hose	2
9565-003-001 (All)	Strainer, Inlet Hose	2

For T-950, 1200, 1450, 1800

<u>Dexter Part Number</u>	<u>Description</u>	<u>Quantity</u>
9990-027-011 (60Hz)	Hose, Water Supply	2
9990-027-013 (60Hz)	Hose, Water Supply (Large)	2
9990-024-015 (50Hz)	Hose, Water Supply (Red end)	1
9990-024-016 (50Hz)	Hose, Water Supply (Blue end)	1
9990-024-017 (50Hz)	Hose, Water Supply (Red end-Large)	1
9990-024-018 (50Hz)	Hose, Water Supply (Blue end-Large)	1
8641-242-000 (All)	Washer, Inlet Hose	4
9565-003-001 (All)	Strainer, Inlet Hose	4

Contact distributor or Dexter Laundry, Inc. if a steel-mounting base is required.

For service and parts information, contact your local Dexter agent. To find your local Dexter agent, use the Distributor Locator at the website shown below. If a Dexter agent is not available, contact **Dexter Laundry, Inc.** directly as listed below:

Mailing Address: 2211 West Grimes Avenue Phone: 1-800-524-2954
Fairfield, IA 52556
USA

Website: www.dexter.com